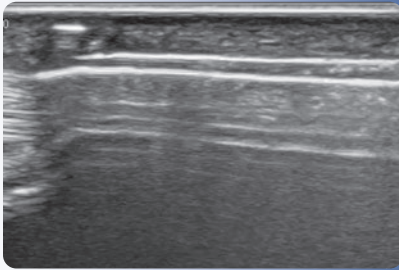


Sutter Ligament Release Guide Set

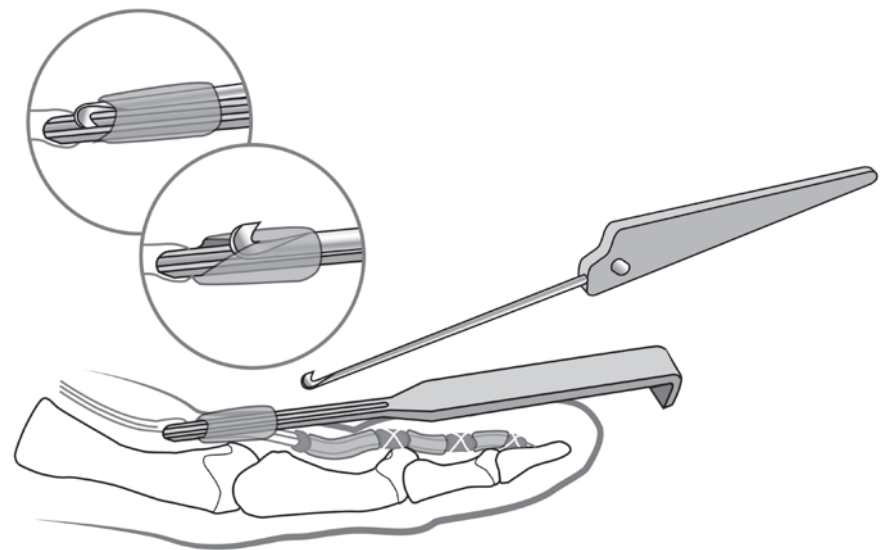
Designed by Dr. med. Damian Sutter

Designed for sonographically guided A1 annular ligament release, the guide is used with the included 2.3 mm hook knife, and the release is carried out via a small incision while the operation is carried out quasi percutaneously using sonographic control



Ligament Release Guide
#1121

Hook Knife
#1121-01



PRODUCT NO'S:
1121-SET
Set Includes / Available Individually:
1121 [Ligament Release Guide] Overall Length: 10.1" (25,7 cm) Insertion Blade Length: 2.125" (5,4 cm) Insertion Blade Height: 1,5 mm Insertion Blade Width: 3,4 mm Guide Channel Width: 2,3 mm
1121-01* [Hook Knife] Overall Length: 9.21" (23,4 cm) Knife Shaft Length: 4.21" (10,7 cm) Knife Blade Width: 2,3 mm



* MADE EXCLUSIVELY FOR INNOMED IN GERMANY

www.innomed.net



ISO 13485:2016

FREE TRIAL ON MOST INSTRUMENTS

INNOMED 



103 Estus Drive, Savannah, GA 31404
info@innomed.net

912.236.0000 Phone
912.236.7766 Fax

Innomed-Europe Tel. +41 41 740 67 74
info@innomed-europe.com

1.800.548.2362