



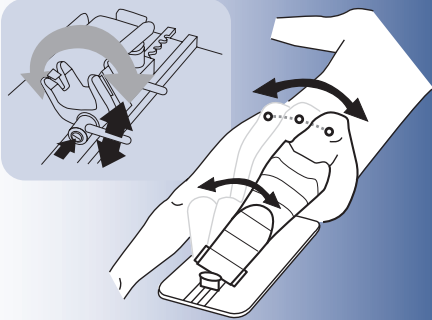
# Stulberg Leg Positioner

Designed by S. David Stulberg, MD

*Provides stable positioning of the knee during surgery*

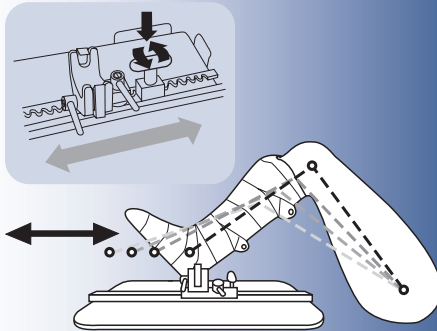
Allows the leg to be manipulated into the desired position and securely locked in place. It has the necessary adjustments to tilt, rotate, and flex or extend the knee. Extension/flexion adjustments can be made with quick release of the ratchet. In use, the base plate is clamped onto the operating table with the vertical side bar. The base plate is then draped and the sterile support plate lowered into the base plate. The patient's foot is wrapped into the foot support with a sterile bandage (additional padding may be used for thin tibias). The complete unit is steam and gas sterilizable. Three (3) Sterile Pads/Wraps are included with each new purchase.

## Tilt Bar



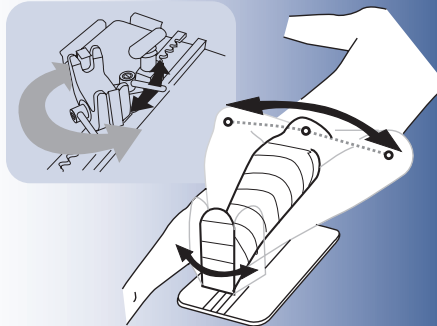
Loosening the Tilt Bar allows the knee to be tilted in either direction. Tightening the bar locks the Yoke System in the desired position.

## Ratchet



The Ratchet allows the Yoke Assembly to be moved in a precise gradual manner, the length of the Track. For faster adjustments, downward pressure on the Ratchet Handle releases the Yoke Assembly which then can be easily slid the length of the Track.

## Rotation Bar



Loosening the Rotation Bar allows the knee to be rotated in either direction. Tightening the bar locks the Yoke System in the desired direction.

PRODUCT NO'S:	
Base Dimensions: 20" x 10.5" (50,8 cm x 26,7 cm)	
2620-10	[Leg Positioner with Aluminum Footpiece]
Optional & Replacement Parts:	
2620-FP	[Aluminum Footpiece Only]
2620-FPI	[Carbon Fiber Footpiece Only]
2629-00	[Case of 10 Sterile Pads/Wraps]



## Leg Positioner Sterile Protective Pad & Wrap

Disposable, latex-free sterile foam pad and cohesive wrap helps protect patient from pressure sores, abrasions and possible neurological impairment while securing foot into the boot.

PRODUCT NO'S:	
2629-00	[Case of 10 Sets]
2629-L	[1 Set]



Each set includes  
1 Pad and 1 Wrap



ISO 13485:2016

FREE TRIAL ON MOST INSTRUMENTS

Scan to  
Launch Our  
Website



# INNOMED



103 Estus Drive, Savannah, GA 31404  
www.innomed.net info@innomed.net

912.236.0000 Phone  
912.236.7766 Fax

Innomed-Europe Tel. +41 41 740 67 74  
Fax +41 41 740 67 71

1.800.548.2362