



Shark Tooth Graspers

Designed by Luis Ulloa

Graspers sharp teeth help grasp onto tissue and bone

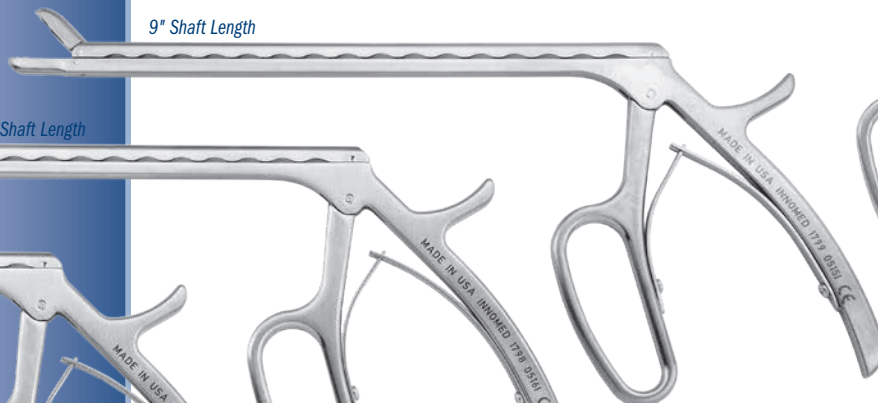
Helpful in removing the labrum, and osteophytes around the acetabulum and around the glenoid. Also helps to remove meniscus, osteophytes and loose bodies. Helps facilitate working through a small incision without disrupting vision.

Standard Handle

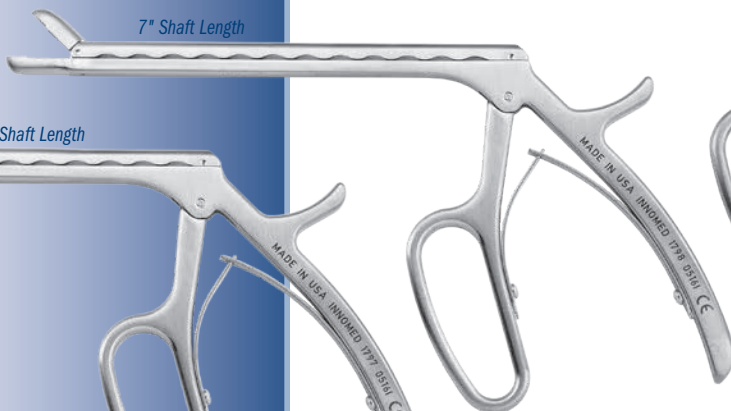
12" Shaft Length



9" Shaft Length



7" Shaft Length



5" Shaft Length



PRODUCT NO'S:	
1797	[5" Standard] Jaw Size: 6 mm x 10 mm Overall Length: 8" (20,3 cm) Shaft Length: 5" (12,7 cm)
1798	[7" Standard] Jaw Size: 6 mm x 10 mm Overall Length: 10" (25,4 cm) Shaft Length: 7" (17,8 cm)
1799*	[9" Standard] Jaw Size: 6 mm x 10 mm Overall Length: 12" (30,5 cm) Shaft Length: 9" (22,9 cm)
1796	[12" Standard] Jaw Size: 6 mm x 10 mm Overall Length: 15" (38,1 cm) Shaft Length: 12" (30,5 cm)

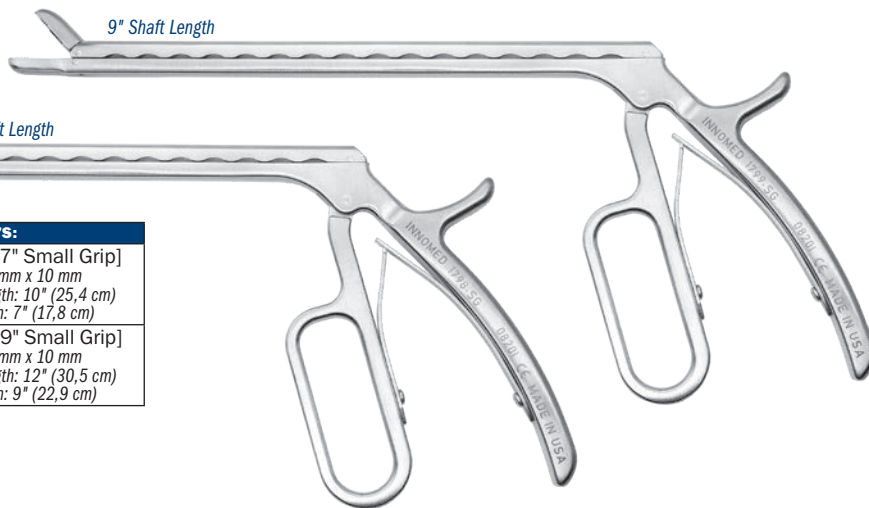
Designed with the grip closer together for easier gripping and to help reduce hand fatigue

MADE EXCLUSIVELY FOR INNOMED IN GERMANY

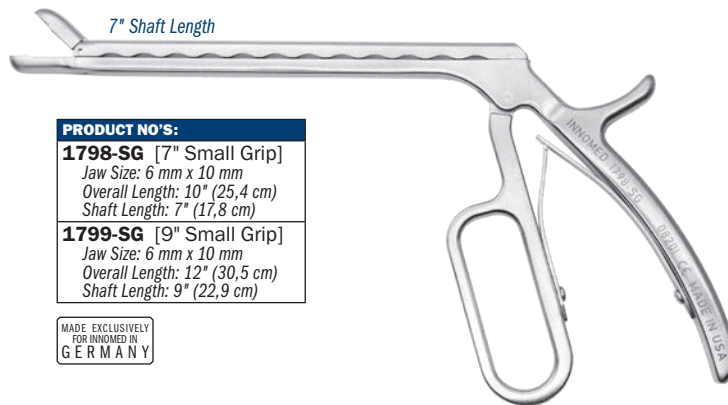
Small Grip Handle



9" Shaft Length



7" Shaft Length



PRODUCT NO'S:	
1798-SG	[7" Small Grip] Jaw Size: 6 mm x 10 mm Overall Length: 10" (25,4 cm) Shaft Length: 7" (17,8 cm)
1799-SG	[9" Small Grip] Jaw Size: 6 mm x 10 mm Overall Length: 12" (30,5 cm) Shaft Length: 9" (22,9 cm)

MADE EXCLUSIVELY FOR INNOMED IN GERMANY

www.innomed.net



FREE TRIAL ON MOST INSTRUMENTS

INNOMED

ISO 13485:2016



103 Estus Drive, Savannah, GA 31404
info@innomed.net

912.236.0000 Phone
912.236.7766 Fax

Innomed-Europe Tel. +41 41 740 67 74
info@innomed-europe.com

1.800.548.2362