

INNOMED

ORTHOPEDIC INSTRUMENTS



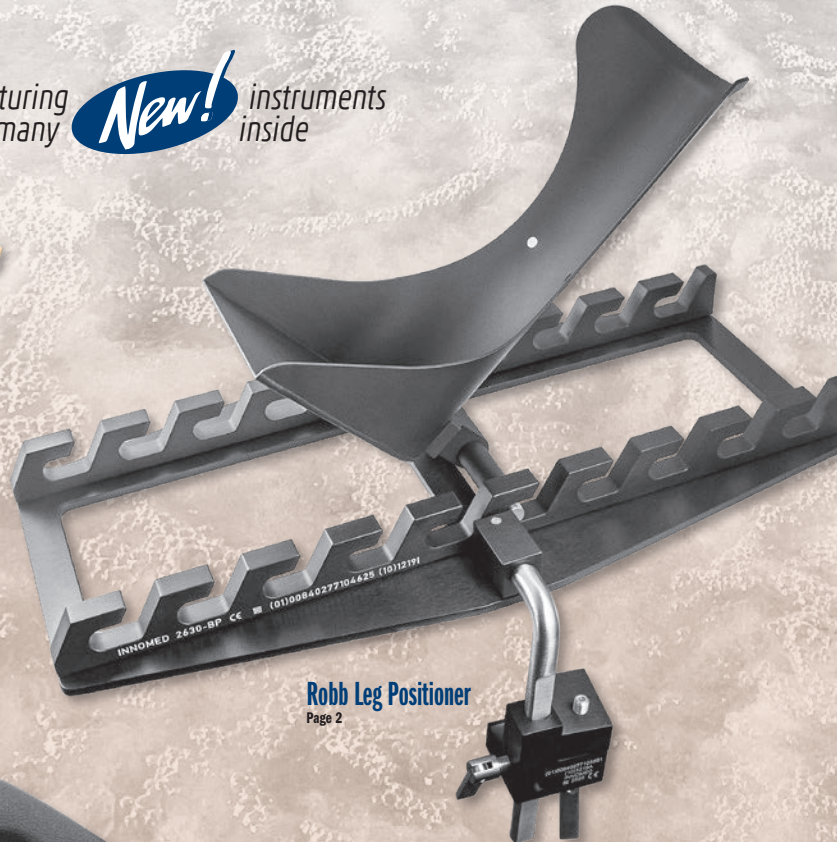
AUGUST
2023

Featuring many **New!** instruments inside

Bradley Periosteal Elevator
Page 30



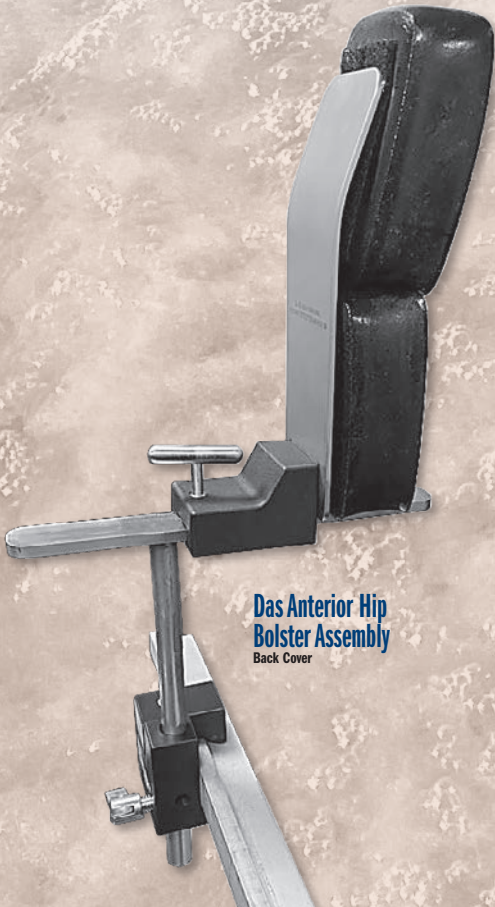
Robb Leg Positioner
Page 2



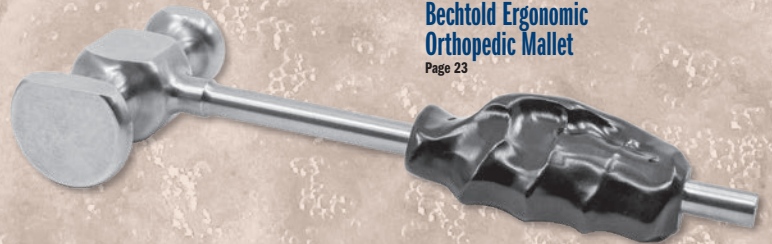
Large T-Handle Fixed Driver
Page 21



Das Anterior Hip Bolster Assembly
Back Cover



Bechtold Ergonomic Orthopedic Mallet
Page 23



Patient Positioning & General Use Instruments

1.800.548.2362 • INNOMED.NET

Robb Leg Positioner

Designed by William Robb, MD

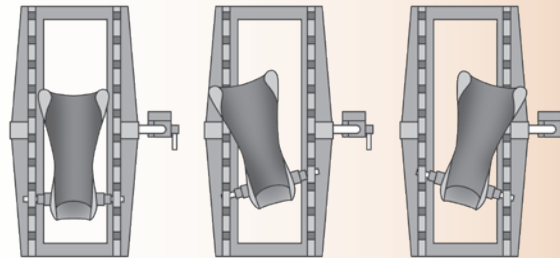
Provides stable positioning of the knee during surgery



- ▶ Slotted base allows the leg to be easily flexed or extended during knee surgery
- ▶ Slots are also designed to allow the foot piece to be rotated
- ▶ The complete unit is steam and gas sterilizable
- ▶ Supplied with a sterilizable table clamp which can be clamped over the sterile drape to the O.R. table side bar
- ▶ Three (3) Sterile Pads/Wraps are included with each new purchase (See below for Pad/Wrap information)

PRODUCT NO'S:

Base Dimensions: 21" x 11" (53,4cm x 27,9cm)
2630-11 [Robb Leg Positioner]
Optional & Replacement Parts:
2630-FP [Aluminum Footpiece Only]
2629-00 [Case of 10 Sterile Pads/Wraps]
2595 [Table Clamp]



Leg Positioner Sterile Protective Pad & Wrap

Disposable, latex-free sterile foam pad and cohesive wrap helps protect patient from pressure sores, abrasions and possible neurological impairment while securing foot into the boot



Compatible with the Innomed's Stulberg, Robb, and Lombardi Leg Positioners



PRODUCT NO:
2629-00 [Case of 10 Sets]
2629-L [1 Set]



Each set includes 1 Pad and 1 Wrap.

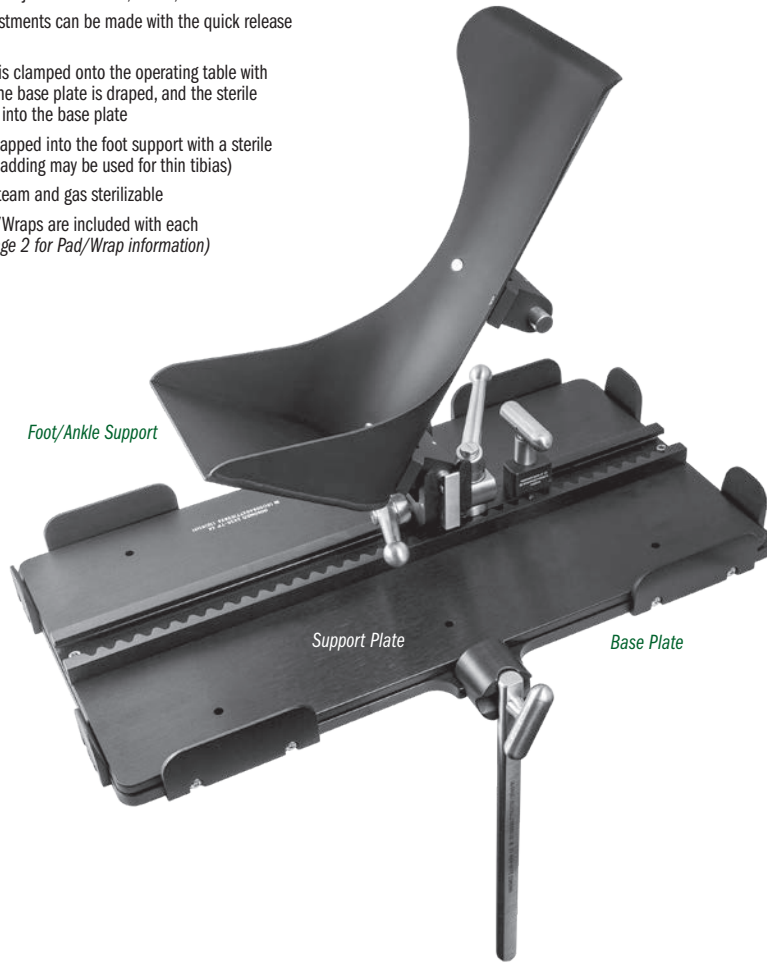


Stulberg Leg Positioner

Designed by S. David Stulberg, MD

Provides stable positioning of the knee during surgery

- ▶ Allows the leg to be manipulated into the desired position and securely locked in place
- ▶ Includes the necessary adjustments to tilt, rotate, and flex or extend the knee
- ▶ Extension/flexion adjustments can be made with the quick release of the ratchet
- ▶ In use, the base plate is clamped onto the operating table with the vertical side bar, the base plate is draped, and the sterile support plate lowered into the base plate
- ▶ The patient's foot is wrapped into the foot support with a sterile bandage (additional padding may be used for thin tibias)
- ▶ The complete unit is steam and gas sterilizable
- ▶ Three (3) Sterile Pads/Wraps are included with each new purchase (See page 2 for Pad/Wrap information)

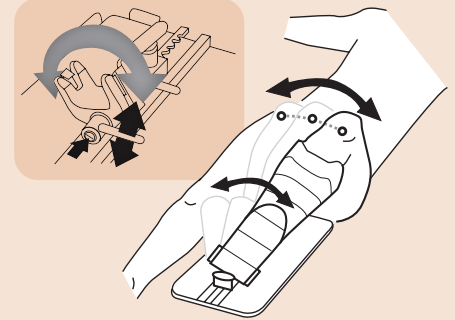


PRODUCT NO'S:	
Base Dimensions: 20" x 10.5" (50,8 cm x 26,7 cm)	
2620-10 [Stulberg Leg Positioner]	
Optional & Replacement Parts:	
2620-FP [Aluminum Footpiece Only]	
2629-00 [Case of 10 Sterile Pads/Wraps]	

Usage guide available on our website.

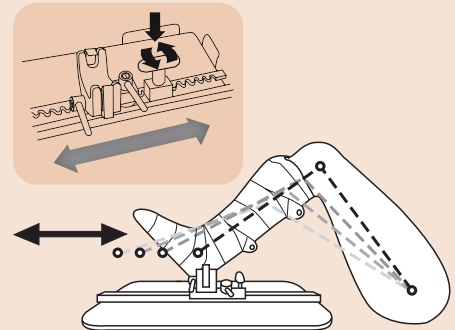


Tilt Bar



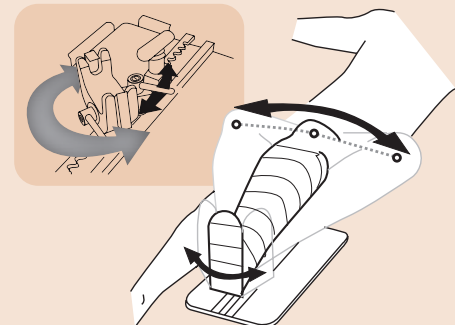
Loosening the Tilt Bar allows the knee to be tilted in either direction. Tightening the bar locks the Yoke System in the desired position.

Ratchet



The Ratchet allows the Yoke Assembly to be moved in a precise gradual manner, the length of the Track. For faster adjustments, downward pressure on the Ratchet Handle releases the Yoke Assembly which then can be easily slid the length of the Track.

Rotation Bar



Loosening the Rotation Bar allows the knee to be rotated in either direction. Tightening the bar locks the Yoke System in the desired direction.



Lombardi Leg Positioner

Designed by Adolph V. Lombardi Jr., MD

Designed to hold the leg during total knee surgery, the unrestricted design helps allow for manipulation of the leg

- ▶ The footpiece consists of an open topped boot, separated with four spacers and attached to a boot support plate.
- ▶ The support plate is bent beyond the rear of the boot to help provide support in different positions of flexion/extension.
- ▶ The spacers allow for room to clean between the boot and support plate.
- ▶ Two (2) Sterile Pads/Wraps are included with each purchase (See page 2 for Pad/Wrap information)

Profile View



PRODUCT NO'S:

2622 [Lombardi Leg Positioner]
 Base Length: 13" (33 cm)
 Base Width: 7" tapers to 4" (17,8 x 10,2 cm)
 Overall Height: 12.75" (32,4 cm)

Replacement Parts:

2629-00 [Sterile Pad & Wrap – Case of 10 Sets]

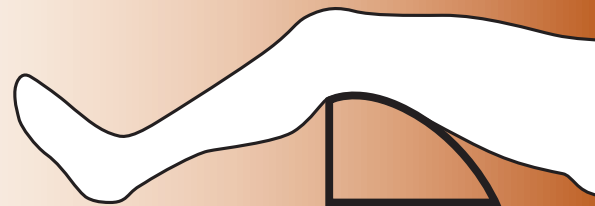
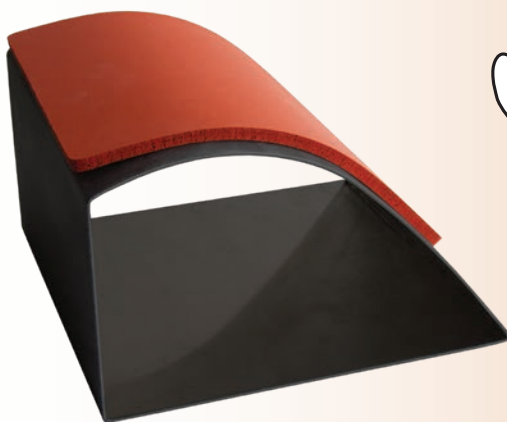


Lower Extremity Leg Positioner

Designed by Ronald Romanelli, MD

Used to support knee and leg during surgery, and can be used for casting

- ▶ Utilized for rodding of femurs or tibias
- ▶ Also useful for knee surgery and closures
- ▶ Very supportive, distributes stresses on leg, used instead of bolsters
- ▶ Supplied with one autoclavable silicone pad
- ▶ Aluminum positioner is radiolucent and gas or steam sterilizable



PRODUCT NO'S:

2745
 Dimensions: 5.5" H x 9.5" L x 9.25" W
 (12,7 cm x 24,1 cm x 23,5 cm)

Replacement Parts:

2760-P [Silicone Pad]



Sanders Extremity Positioning Tubes

Designed by Richard A. Sanders, MD

Designed to support the knee and ankle during lower extremity surgery

The 6" tube lifts the knee off the operating table and allows for approximately 30° of knee flexion. Very useful for closure of total knee incisions, supporting fractures of the distal femur, and tibia plateau fractures. The 4" tube elevates the foot and ankle for ankle fracture surgery. The tubes are made of aluminum, allowing them to be autoclaved. They help eliminate the need for rolled sheet bolsters.

PRODUCT NO'S:

2740-01 [Small] Diameter: 4" (10,2 cm) Width: 8" (20,3 cm)	2740-02 [Large] Diameter: 6" (15,2 cm) Width: 8" (20,3 cm)
--	--





Adjustable Knee & Tibial Positioner

Designed by Ashutosh Chaudhari, MD

Adjustable design allows for use in procedures around the knee such as tibial nailing, tibial condyle plating, patella fracture fixation, supracondylar fracture plating, supracondylar fracture nailing, and total knee replacement

Radiolucent. Steam sterilizable.



PRODUCT NO'S:	
2770-00 [Set]	Includes Positioner, Pad, and Two Short Straps
Individual / Replacement Parts	
2770-01 [Positioner]	Overall Length (Folded): 28" (71,1 cm) Overall Length (Flat): 54.75" (139 cm) Maximum Triangle Height: 14" (35,6 cm) Width: 5.5" (14 cm) Thickness (Folded): 1.8" (4,6 cm) Thickness (Flat): .75" (1,9 cm)
2770-P [Silicone Pad]	Dimensions: 12" x 5.5" (30,5 cm X 14 cm)
2590-S [Short Straps]	Pkg of 10



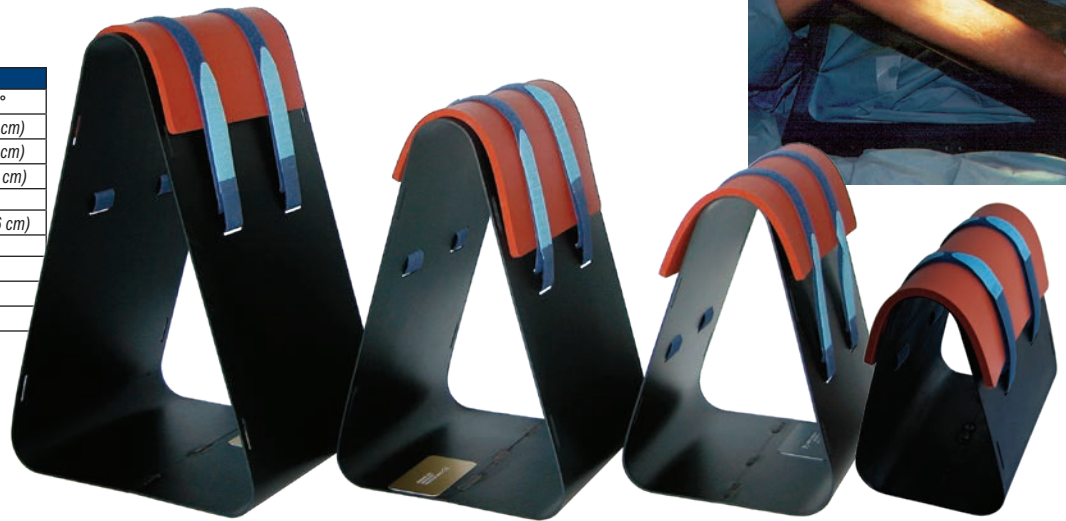
Fromm Femur & Tibia Triangles

Designed by S.E. Fromm, MD *

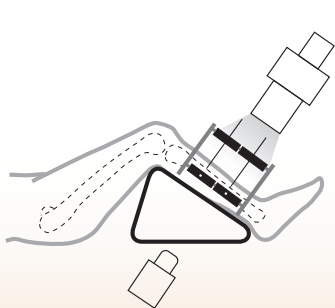
Extra Small Triangle designed by S.E. Fromm, MD & Kenneth Merriman, MD

Used for femur and tibia positioning during nailing, repairs and fractures

PRODUCT NO'S:	
2760-00 [Set of 3]	Angles: Top 30°, Two Bottom 75°
2760-01 [11"]	Base: 6" (15,2 cm), Height: 11" (27,9 cm)
2760-02 [14"]	Base: 7" (17,8 cm), Height: 14" (35,6 cm)
2760-03 [16"]	Base: 9" (22,9 cm), Height: 16" (40,7 cm)
Sold Separately - Not In Set:	
2760-XS [8.5"]	Base 5" (12,7 cm), Height: 8.5" (21,6 cm)
Replacement Parts:	
2760-P [Silicone Pad]	
2760-S [Straps]	Package of 18
8120-SP [Straps for XS]	Package of 10

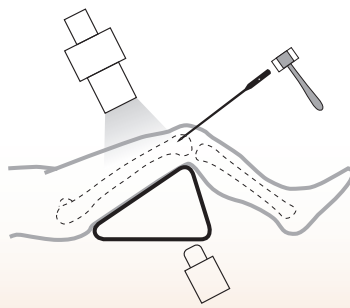


Designed to position and hold the femur and tibia during intramedullary nailing of the tibia, ligament repairs and extremity fractures. Allows knee to be flexed greater than 90° to allow reaming and nail insertion without displacing fracture. The triangles are available in four heights: 8.5", 11", 14", and 16". The three smaller triangles are designed to fit inside the larger triangle for storage. They are supplied with an autoclavable silicone cushioning pad and velcro* straps. The triangles are also radiolucent and gas or steam sterilizable.



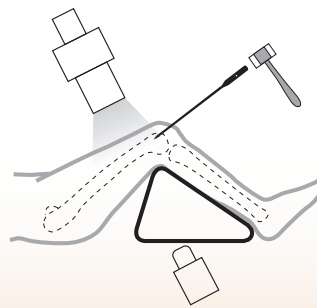
Tibia Reduced For:

- Open Reduction and Internal Fixation (ORIF)
- Application of uni- or multi-plane external fixator
- Knee ligament repairs and/or reconstruction

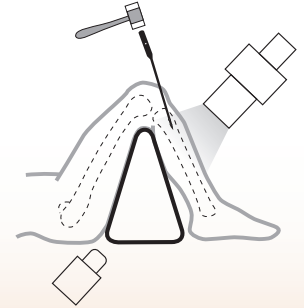


Retrograde Femoral Nailing

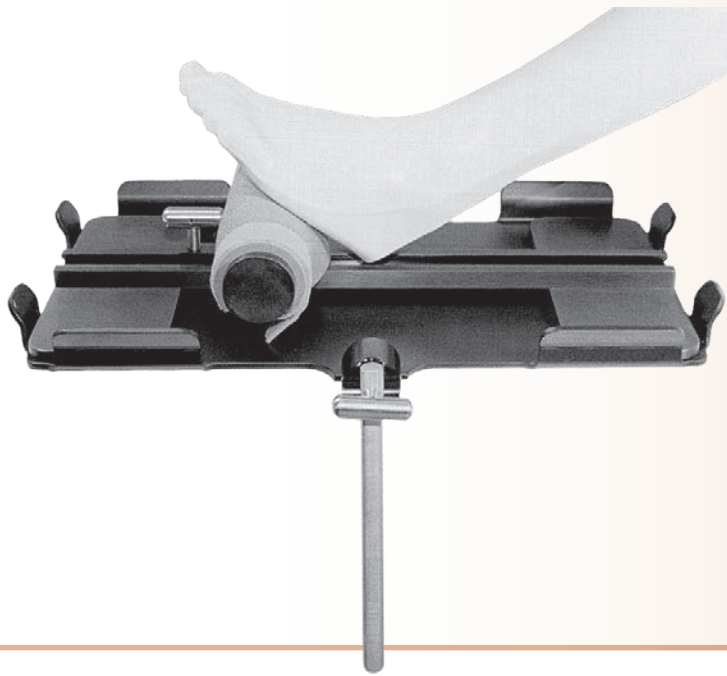
Triangle holds femur reduced (prevents sagging)



Retrograde Femoral Nailing



Tibial Nailing



Stulberg Sliding Bolster

Designed by S. David Stulberg, MD

Helps eliminate the need for a sand bag during total knee surgery

The base plate is attached to the table and the sterile sliding bolster is placed on top of the sterile drape. The bolster can be adjusted for different angles of knee flexion during surgery.

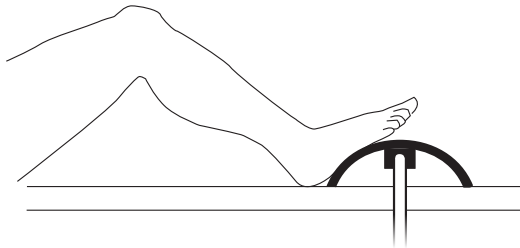
PRODUCT NO:
2730
Base Dimensions:
20" x 10.5" (50,8 cm x 26,7 cm)



Kirschenbaum Foot Positioner

Designed by Ira Kirschenbaum, MD

Helps eliminate the use of sand bags under the drape during total knee surgery



The foot rest is dome shaped for optimal foot contact and positioning the leg in flexion, and can be rotated. The unit can be used under the drape by attaching it to a standard table attachment or it can be sterilized for use on top of the drape. It can be attached to the table with the optional sterilizable table clamp. Supplied with a removable, sterilizable silicone foot pad.



PRODUCT NO'S:
2590 [Foot Positioner - Long] 15.5" x 6" (39,4 cm x 15,2 cm)
2591 [Foot Positioner - Short] 9.5" x 6" (24,1 cm x 15,2 cm)
Optional & Replacement Parts:
2590-P [Large Replacement Pad] 16" x 9" (40,7 cm x 22,9 cm)
2591-P [Small Replacement Pad] 9.5" x 9.25" (24,1 cm x 23,5 cm)
2595 [Optional Table Clamp]

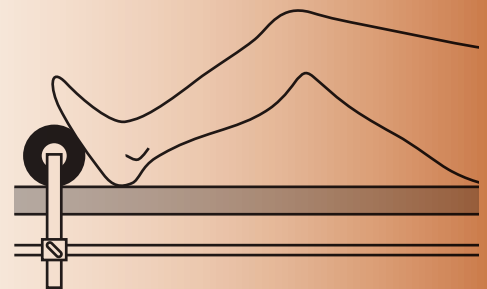


Modified 90° Leg Stabilizer

Designed by Gregory Fanelli, MD

Useful in total knee surgery to hold the leg in position

Helps to open up the knee joint when pressure is applied to the lower leg. Pad and sterilizable table clamp included.



PRODUCT NO'S:
2725
Post Height: 11.375" (28,9 cm)
Pad Length: 9" (22,9 cm)
Pad Diameter: 3" (7,6 cm)
Replacement Parts:
9120 [Table Clamp]
8840-P [Pad]



Stanton Arthroscopic Leg Holder

Designed by John Stanton, MD

- ▶ Sliding leg holder can be adjusted for small calves or to accommodate large thighs
- ▶ Locking pin prevents sides from spreading apart
- ▶ Strap can be placed high or low through the slots in the side plates to accommodate large/small limbs
- ▶ Strap is strongly secured with a toothed clamp
- ▶ Support rod, when clamped into a standard table clamp, helps to prevent rotation

PRODUCT NO'S:

4045

Dimensions: 16.5" L x 8.5" H x 3.5" W
(42 cm L x 21,6 cm H x 9 cm W)
Fits Legs: From 4" to 11" (10 cm to 28 cm)

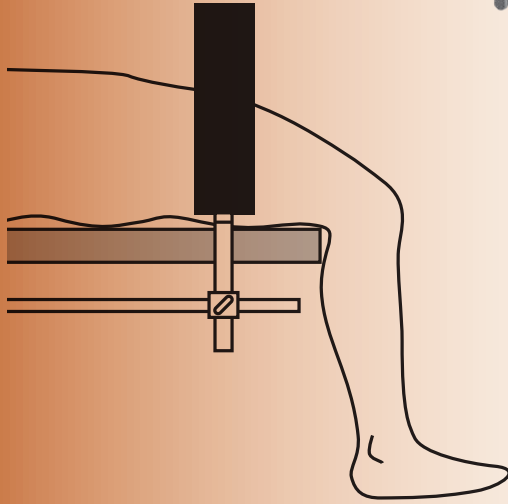
Replacement Parts

4045-S [Strap]

Overall Length: 28" (71,2 cm)



Designed to securely hold legs of various sizes for arthroscopic surgery



Leg Stabilizer

Designed by Gregory Fanelli, MD

Useful in arthroscopic knee surgery to hold the leg in position

Helps to open up the knee joint when pressure is applied to the lower leg. Sterilizable table clamp included.

PRODUCT NO'S:

8840

Overall Length: 18.5" (47 cm)
Handle Length: 9.25" (23,5 cm)
Pad Diameter: 3" (7,6 cm)

Replacement Parts:

9120 [Table Clamp]

8840-P [Pad]



George Arthroscopic Knee Positioner

Designed by Michael S. George, MD

Provides lateral as well as superior support which allows valgus stress to open the medial compartment

Shape does not squeeze the thigh, making the need for a thigh tourniquet optional. If desired, the unit can easily be rotated out of the way without disrupting the sterile field. Using with a standard operating table clamp, the unit can easily be raised or lowered to accommodate all thigh sizes.

PRODUCT NO'S:

2735

Overall Height: 22" (55,9 cm)
Post Height: 12" (30,5 cm)
Pad Width: 3" (7,6 cm)

Replacement Parts

2735-P [Pad]



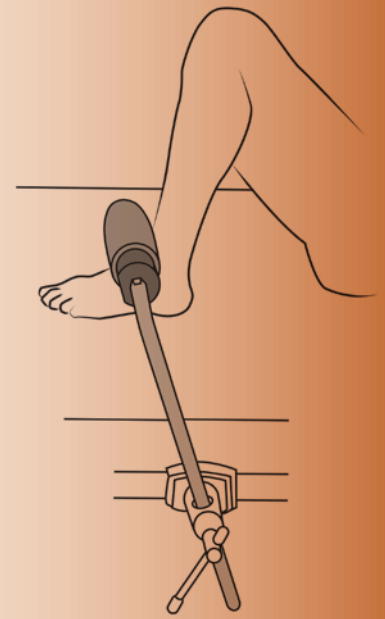
PRODUCT NO'S:
2589-00 [Complete Assembly] Overall Length: 19" (48,3 cm)
Individual/Replacement Parts:
2589-01 [Foot Positioner] Overall Length: 18" (45,7 cm)
2590-B [Positioner Bar] Overall Length: 19" (48,3 cm)
2730-P [Pad & Two Straps]
4150-PS [Post Screw]
Optional Parts:
2590-S [Black Straps] Pkg of 10



Hyperflex Foot Positioner Assembly

Designed by Morteza Meftah, MD and Ira Kirschenbaum, MD

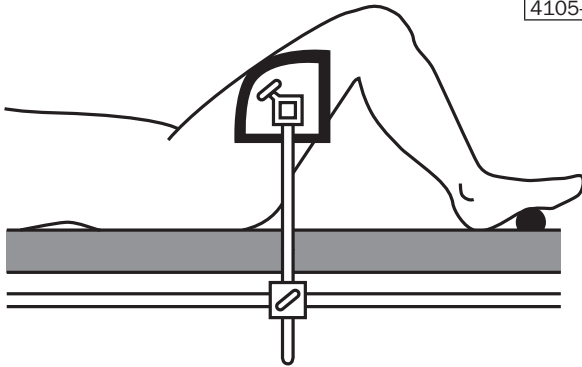
Designed to help secure the foot for positioning of the knee in the hyperflex position



Durham Leg Positioner

Designed by Al Durham, MD

Supplied with a sterilizable table clamp. The pad is made of semi-dense foam to help prevent pressure points and is sealed with a washable coating.



Placed against the thigh, helping to hold the leg upright in knee surgery

PRODUCT NO:
4105
Replacement Parts:
9120 [Table Clamp]
4105-P [Pad]



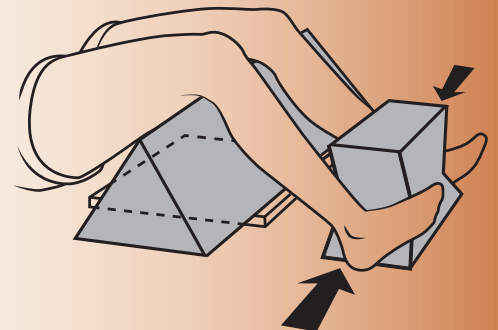
Patient Self Stress Assembly Set

Designed by Kyle Cook, RTR and David Mauerhan, MD



Designed to help position a patient for X-ray evaluation to help determine candidacy for Unicdylar Knee Arthroplasty

PRODUCT NO'S:
2741-00 [Set]
Individual Instruments:
2741-01 [Triangle Positioner] Dimensions: 24" x 9" x 9" (61 cm x 23 cm x 23 cm)
2741-02 [Contoured Cube] Dimensions: 11" x 9" x 6" (28 cm x 23 cm x 15,2 cm)



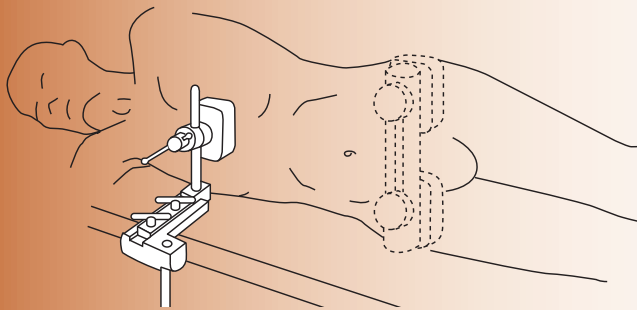


Multi-Adjustment Hip Positioner

Provides stable positioning of a patient during hip surgery

Multi-adjustment arms allow the positioner to be adjusted to fit all sizes of patients. Extra attachment allows for more versatility of placement. Especially helpful with large patients where reaching the a.s.i.s. is needed for stabilization.

PRODUCT NO'S:
4030
Replacement Parts:
4150-PD2 [Set of 2 Small Pads]



Wixson/Stulberg Anterior Trunk Support

Designed by R.L. Wixson, MD and S. David Stulberg, MD

Helps protect the chest and shoulders from slumping forward during total hip surgery

PRODUCT NO:
4110



Use in Knee Surgery

Use in Hip Surgery

Berger Block Positioner

Designed by Richard Berger, MD

Designed for lower extremity positioning with dual height options

PRODUCT NO'S:
2750-00 [Set] Dimensions with Pads: 4.75" x 6.75" x 8" (12,1 cm x 17,1 cm x 20,3 cm)
Set Includes / Available Individually:
2750-01 [Positioner Only] Dimensions: 4.125" x 6.125" x 8" (10,5 cm x 15,6 cm x 20,3 cm)
2750-P [Positioner Pad Only]
[Brown Strap Only] (2) Included in Set
Optional Items:
2750-S [Brown Straps] Pkg of 10



Wixson Hip Positioner

Designed by R.L. Wixson, MD

Provides stable positioning of a patient during hip surgery

The Wixson Hip Positioner is used for stable positioning of a patient during total hip and revision surgery. It is designed to be placed on top of the operating table.

The base plate is rubber-backed to reduce slipping on the table. The uprights can easily be slid in and out of the multiple slots in the plate for desired positioning and locked into position with the locking bolt. The complete upright assembly is radiolucent.

The upright pads and the base plate pad are made of semi-dense foam to help prevent pressure points and are sealed with a washable coating. The coating also helps to lessen the possibility of skin breakdown.

The hip positioner consists of: One 10" post with double pads, one 6" post with a single pad, one 20" base plate, one base plate pad, two 2" spacers, one 4" knob, and one 6" knob.

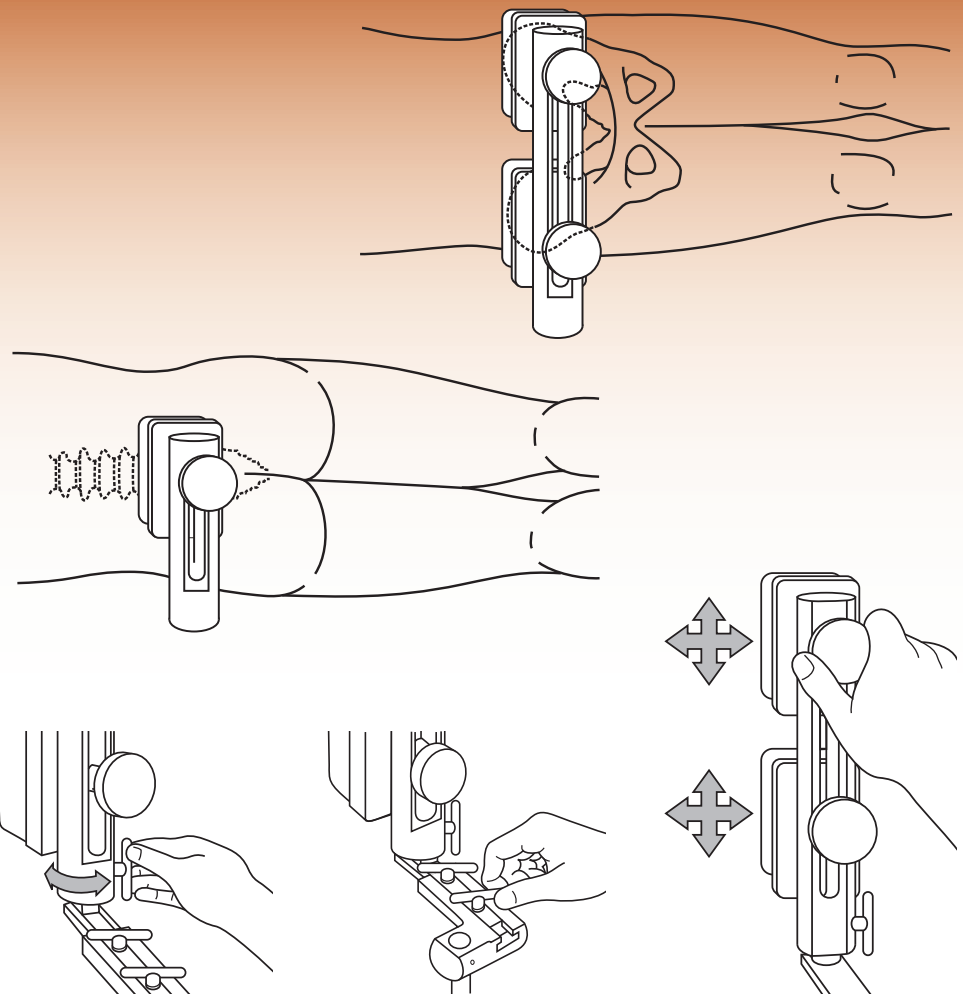
The spacers and longer knobs are supplied for use with larger patients: use one spacer with the 4" knob, or combine the two spacers to use with the 6" knob.

The pad assembly can be adjusted for additional height and width. The upright posts are modular. The complete unit is radiolucent, and all parts are autoclavable except for the washable foam pads.



Baseplate Dimensions: 20" x 11.25" (50,8 cm x 28,6 cm)

PRODUCT NO'S:	
4050	[Set] Consists of: One 10" post assembly with double pads, one 6" post assembly with a single pad, one 20" base plate, one base plate pad, two 2" spacers, one 4" knob, and one 6" knob.
Pads, Pad Parts, Pad Assemblies & Sets:	
4050-LPD	[Large Pad]
4150-P	[Pad Plate] (Small Pad Attaches to this Plate)
4150-PA	[Pad Assembly] (Pad Knob, Plate & Pad)
4150-PB	[Pad Knob] (Attaches Pad Plate to Post)
4150-PD3	[Set of 3 Small Pads]
4150-PD12	[Case of 12 Small Pads]
4150-V	[Set of 30 Velcro Strips] (For Pad Attachment)
Posts, Post Parts, Post Assemblies & Sets:	
4150-06	[6" Post (15,2 cm)] (Post Only)
4150-06B	[6" Post with Pad Assembly]
4050-06C	[6" Post with Pad Assembly and Slider]
4150-08	[8" Custom Post (20,3 cm)] (Post Only)
4150-09	[9" Custom Post (22,9 cm)] (Post Only)
4150-10	[10" Post (25,4 cm)] (Post Only)
4150-10B	[10" Post with Pad Assembly]
4050-10C	[10" Post with Pad Assembly and Slider]
4150-12	[12" Custom Post (30,5 cm)] (Post Only)
4150-14	[14" Custom Post (35,6 cm)] (Post Only)
4050-PDS	[Full Pad Set] (1 Large & 3 Small Pads)
4150-PS	[Post Screw]
4050-S	[Slider] (Connects Post to Baseplate)
Extension Parts, Extension Assemblies & Sets:	
4150-C	[2" Spacer (5,1 cm)]
4150-C4	[4" Spacer (10,2 cm)]
4150-EK	[4" Knob (10,2 cm)] For use with 2" Spacer
4150-EK4	[6" Extension Long Knob (15,2 cm)] For use with two 2" Spacers or one 4" Spacer
4150-EK6	[8" Extension Long Knob (20,3 cm)] For use with one 2" Spacer and one 4" Spacer
4150-EXT	[2" Extension] (2" Spacer with 4" Knob)
4150-EXT4	[4" Extension] (4" Spacer with 6" Knob)
4150-EXT6	[6" Extension] (4" and 2" Spacers with 8" Knob)
Baseplates:	
4050-BP	[20" Standard Baseplate (50,8 cm)] (Baseplate Only)
4050-BP24	[24" Custom Baseplate (61 cm)] (Baseplate Only)



The upright assembly can be rotated and locked in place.

The upright assembly adjusts by a sliding track to accommodate various sized patients. It is locked in the sliding track by tightening one or two locking bolts.

The pads can be adjusted for height and width.



Stulberg Hip Positioner

Designed by S. David Stulberg, MD

Provides stable positioning of a patient during hip surgery

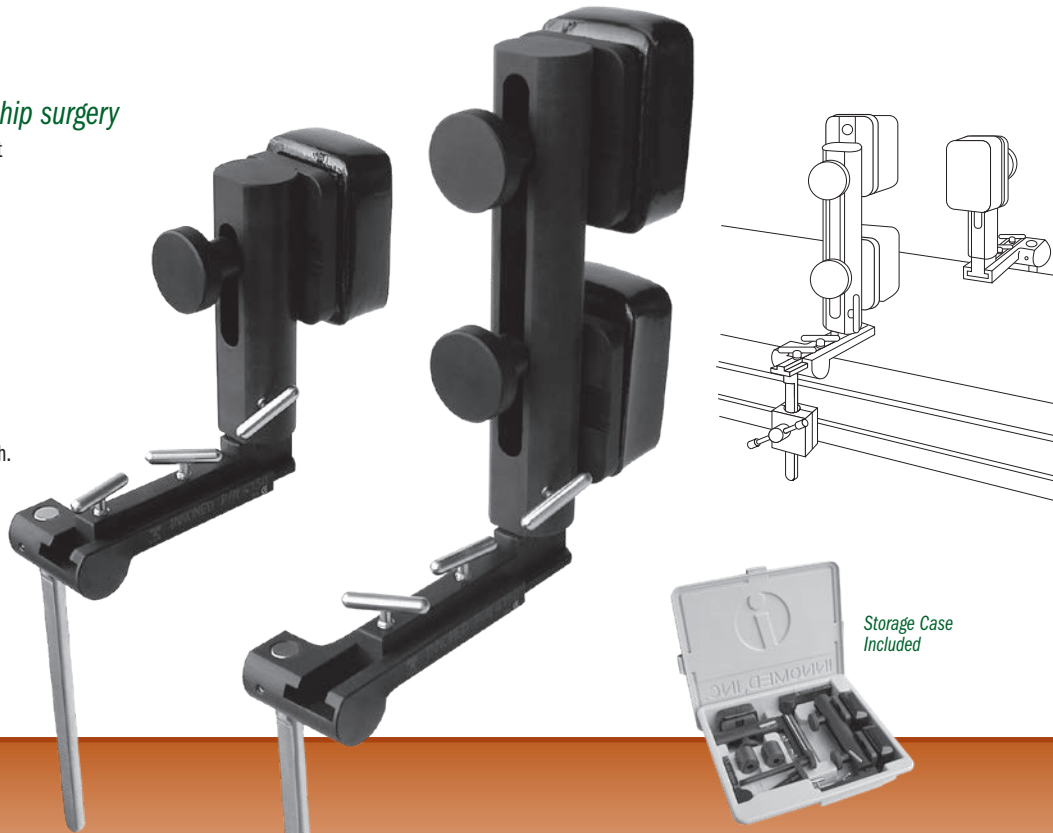
The Stulberg Hip Positioner is used for stable positioning of a patient during total hip and revision surgery. It is designed to attach directly to the operating table utilizing the existing table adapters.

The upright pads are made of semi-dense foam to help prevent pressure points and are sealed with a washable coating. The coating also helps to lessen the possibility of skin breakdown.

The hip positioner consists of: One 10" post assembly with double pads and one 6" post assembly with a single pad, two 2" spacers, one 4" knob, one 6" knob, and two table attachments.

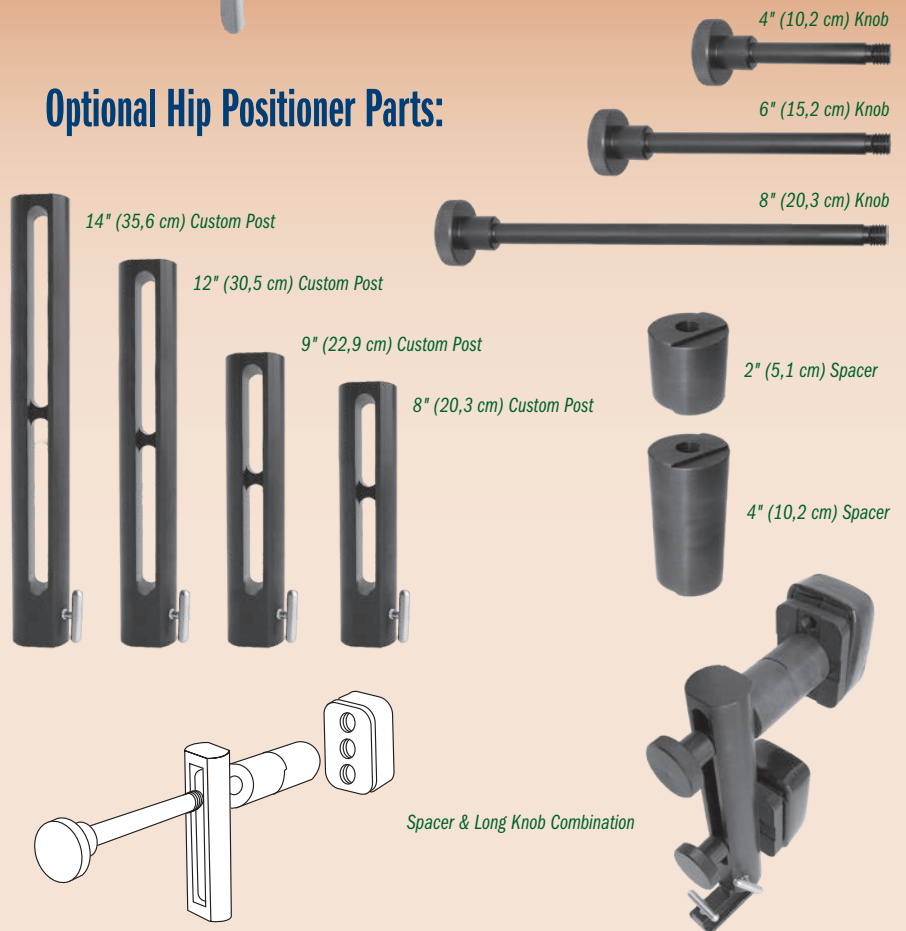
The spacers and longer knobs are supplied for use with larger patients: use one spacer with the 4" knob, or combine the two spacers to use with the 6" knob.

The pad assembly can be adjusted for additional height and width. The upright posts are modular. The complete unit is radiolucent, and all parts are autoclavable except for the washable foam pads and storage case.



PRODUCT NO'S:	
4150-00	[Set] Consists of: Case, one 10" post assembly with double pads, one 6" post assembly with a single pad, two 2" spacers, one 4" knob, one 6" knob, and two table attachments.
Pads, Pad Parts, Pad Assemblies & Sets:	
4150-P	[Pad Plate] (Small Pad Attaches to this Plate)
4150-PA	[Pad Assembly] (Pad Knob, Plate & Pad)
4150-PB	[Pad Knob] (Attaches Pad Plate to Post)
4150-PD3	[Set of 3 Small Pads]
4150-PD12	[Case of 12 Small Pads]
4150-V	[Set of 30 Velcro Strips] (For Pad Attachment)
Posts, Post Parts, Post Assemblies & Sets:	
4150-06	[6" Post (15,2 cm)] (Post Only)
4150-06B	[6" Post with Pad Assembly]
4150-06C	[6" Post with Pad Assembly and Slider]
4150-06D	[6" Post with Pad Assembly, Slider & Table Attachment]
4150-08	[8" Custom Post (20,3 cm)] (Post Only)
4150-09	[9" Custom Post (22,9 cm)] (Post Only)
4150-10	[10" Post (25,4 cm)] (Post Only)
4150-10B	[10" Post with Pad Assembly]
4150-10C	[10" Post with Pad Assembly and Slider]
4150-10D	[10" Post with Pad Assembly, Slider & Table Attachment]
4150-12	[12" Custom Post (30,5 cm)] (Post Only)
4150-14	[14" Custom Post (35,6 cm)] (Post Only)
4150-PS	[Post Screw]
4150-S	[Slider] (Connects Post to Table Attachment)
4150-TA	[Table Attachment]
Extension Parts, Extension Assemblies & Sets:	
4150-C	[2" Spacer (5,1 cm)]
4150-C4	[4" Spacer (10,2 cm)]
4150-EK	[4" Knob (10,2 cm)] For use with 2" Spacer
4150-EK4	[6" Extension Long Knob (15,2 cm)] For use with two 2" Spacers or one 4" Spacer
4150-EK6	[8" Extension Long Knob (20,3 cm)] For use with one 2" Spacer and one 4" Spacer
4150-EXT	[2" Extension (5,1 cm)] (2" Spacer with 4" Knob)
4150-EXT4	[4" Extension (10,2 cm)] (4" Spacer with 6" Knob)
4150-EXT6	[6" Extension (15,2 cm)] (4" and 2" Spacers with 8" Knob)
Other Parts:	
9002	[Storage Case]

Optional Hip Positioner Parts:





Belfast Sagittal Plane Positioner

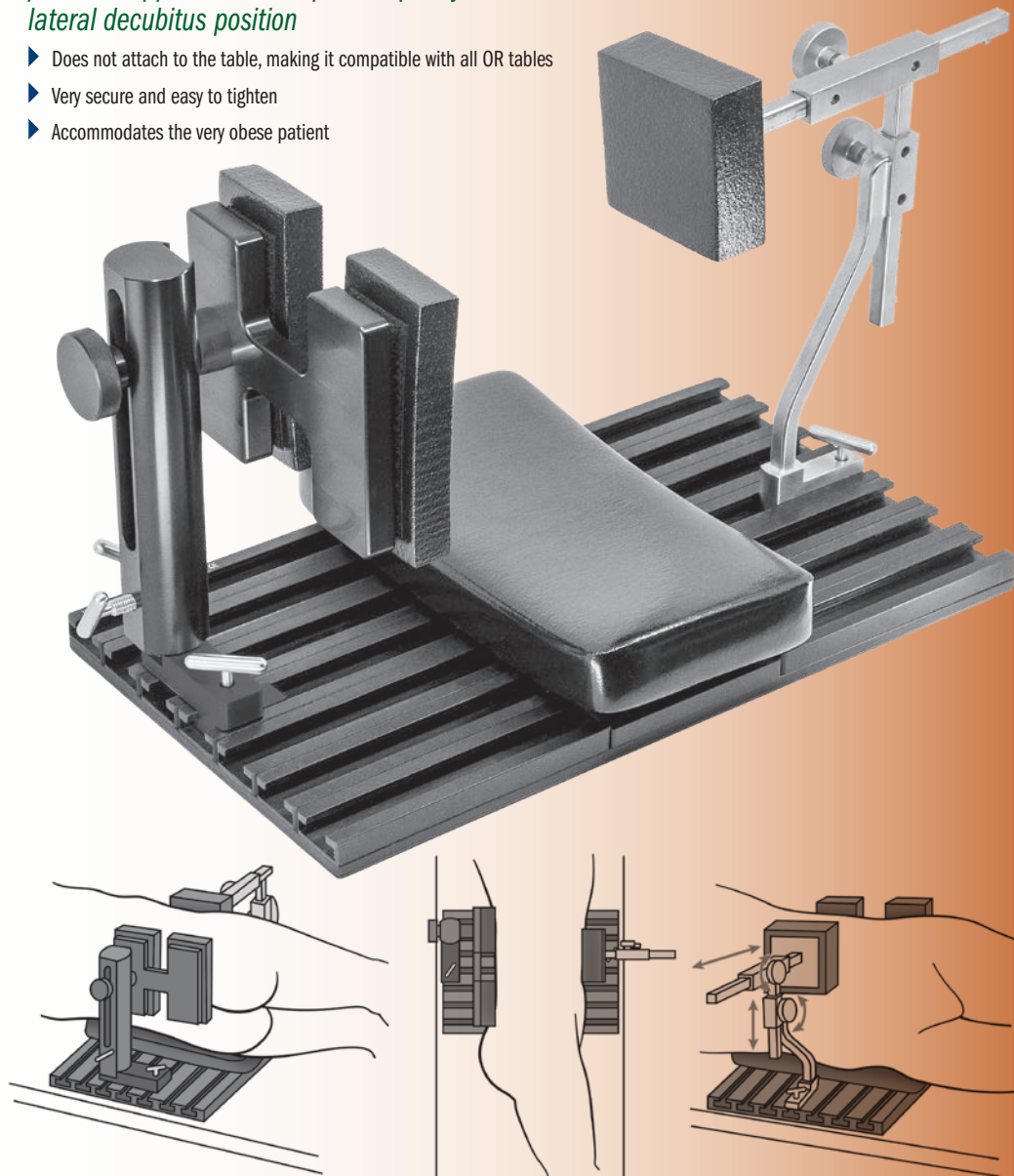
Designed by David Beverland, FRCS

A sturdy and stable patient support system for posterior approach total hip arthroplasty in the lateral decubitus position

- ▶ Does not attach to the table, making it compatible with all OR tables
- ▶ Very secure and easy to tighten
- ▶ Accommodates the very obese patient

- ▶ Anterior ASIS support unit allows both height and depth adjustment, eliminating the need to adjust the baseplate locking mechanism once secured. The depth adjustment allows extension of up to 150 mm beyond the support base, providing space to avoid the abdominal apron.
- ▶ Posterior support unit offers both Sacral and Iliac Crest support, connected together as one unit, and provides both height and rotation adjustments, as well as a hinged pivot where the iliac crest side attaches the unit to the post, that can be loosened and adjusted to allow rotation in 5° increments.
- ▶ Allows access to the PSIS before and during surgery. This can help to ensure that the sagittal plane of the pelvis is horizontal at the time of cup implantation.

PRODUCT NO'S:	
4170-00	[Complete Set]
Set Includes / Available Individually:	
4170-03	[Anterior Upright Support]
4170-04	[Anterior Plane Support]
4170-05	[Anterior Clamp Support]
4170-AKS	[Anterior Knob Screw] <i>Two (2) included in Set, One (1) with this product number</i>
4170-AP	[Anterior Plane Pad]
4170-06	[Posterior Sagittal Plane Support]
4170-07	[Posterior 9.5" Post]
4170-PKS	[Posterior Knob Screw]
4170-08	[Posterior Base]
4170-09	[Posterior Angle Adjuster]
4170-T	[Posterior T-Handle Screw]
4170-PP	[Posterior Support Pad] <i>Two (2) included in Set, One (1) with this product number</i>
4150-PS	[Post Screw] <i>Three (3) included in Set, One (1) with this product number</i>
4050-BP	[20" Baseplate Only]
4050-LPD	[Hip Positioner Large Pad]

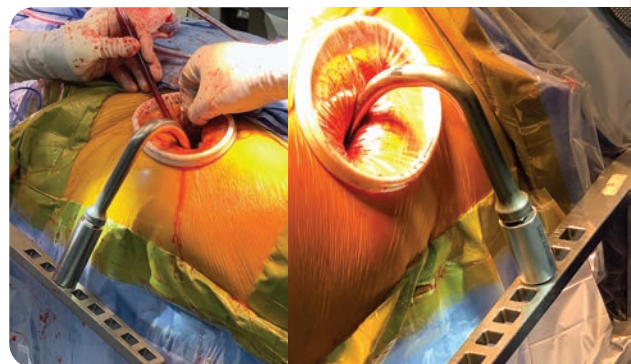


Extension Set for Anterior THR Tables

Designed by David Ott, MD

Designed to add lift to the femoral hook during an anterior THR case and be able to remove without breaking the sterile field

PRODUCT NO'S:	
8004-00	[Set of One Each]
Also available individually:	
8004-S	[Short Extension] <i>Extension Length: 2" (5,1 cm) Overall Length: 2.6" (6,6 cm)</i>
8004-L	[Long Extension] <i>Extension Length: 3" (7,7 cm) Overall Length: 3.625" (9,2 cm)</i>





Thornberry Hip Positioner

Designed by Robert L. Thornberry, MD

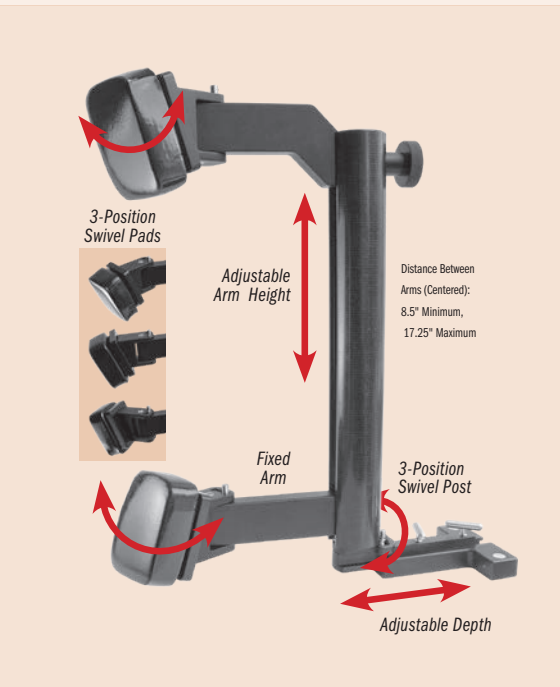
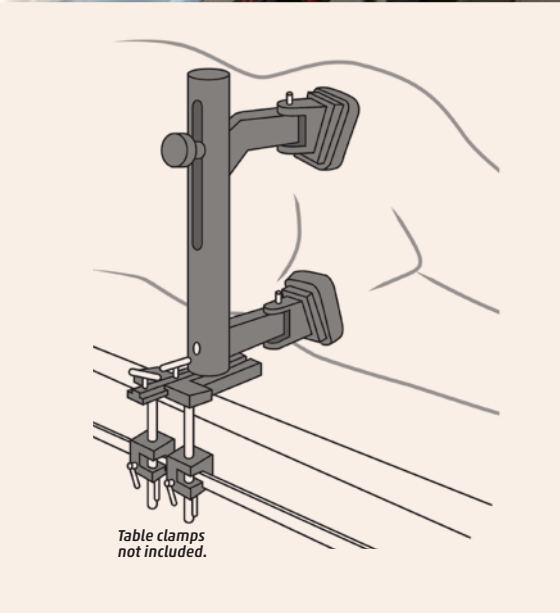
Designed to be adjustable yet sturdy, and is especially helpful when stabilizing a large patient during total hip and revision surgery

The Thornberry Hip Positioner is designed to attach directly to the operating table utilizing existing table clamps, or the Innomed #2595 Table Clamps, which are not included.

The upper arm assembly can be adjusted for height. Both arms include a push-button to allow the pad platform to swivel and lock into any of three fixed positions. The tall 18" post also includes a push-button to allow the post/arms unit to swivel and lock into any of three fixed positions.

The complete unit is autoclavable except for the foam pads. The pads are made of semi-dense foam to help prevent pressure points and are sealed with a washable coating. The coating also helps to lessen the possibility of skin breakdown.

It may be necessary to place the Double Table Attachment(s) 180°—sticking out from the table—to accommodate the large patient, as shown at left.



PRODUCT NO'S:	
4160-00	[Complete Set]
Items Included in Set:	
4160-07	[7" Back Support Post]
4160-18	[18" Post with Fixed Lower Arm]
4160-AA	[Adjustable Upper Arm]
4160-DTA	[Double Table Attachment]
	Two (2) included with set; One (1) only with this number
4160-PB	[Post Knob]
	Two (2) included with set; One (1) only with this number
4150-P	[Pad Plate for Back Support]
4150-PD3	[Set of Three (3) Pads]
4150-S	[Back Support Slider]
Optional Items:	
2595	[Table Clamp] One only with this number



Positioner consists of:

Front Support Unit

One 18" post assembly with a lower arm and swiveling pad platform, one upper arm assembly with a swiveling pad platform, one post knob, two pads, and one double table attachment.

Back Support Unit

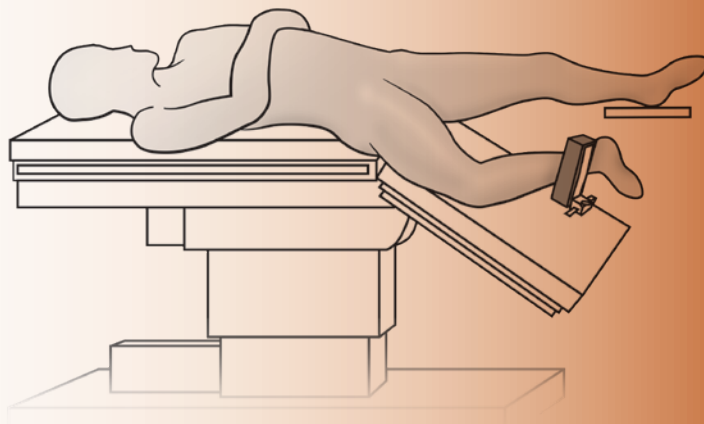
One 7" post assembly, one post knob, one pad plate, one pad, one slider, and one double table attachment.



Direct Anterior Total Hip Arthroplasty Leg Positoner Assembly

Designed by Benjamin M. Frye, MD

Designed to help position the operative leg for direct anterior approach total hip arthroplasty using a standard operating table



US Patent No. 16/523,304

- ▶ Allows one assistant to secure the leg for femoral preparation
- ▶ Attaches directly to a standard operating table
- ▶ Allows easy assessment of hip stability and leg length discrepancy

PRODUCT NO'S:	
4165-00	[Assembly]
Individual/Replacement Parts:	
4165-01	[Leg Support] Overall Length: 8.75" (22,2 cm) Width: 2.5" (6,4 cm)
4165-02	[Calibrated Rod] Dimensions: 9.625" x 7.125" x 1" (24,5 x 18,1 x 2,5 cm)
4165-P	[Leg Support Pad] Dimensions: 8.5" x 3" x 1.75" (21,6 x 7,6 x 4,4 cm)
4150-PS	[Support Screw] T-Handle Width: 1.875" (4,7 cm) T-Handle Depth: 1.5" (3,8 cm)
9120	[Table Clamp] Dimensions: 1.7" x 1.7" x 1.4" (4,3 x 4,3 x 3,6 cm)



Cherf Leg Holder

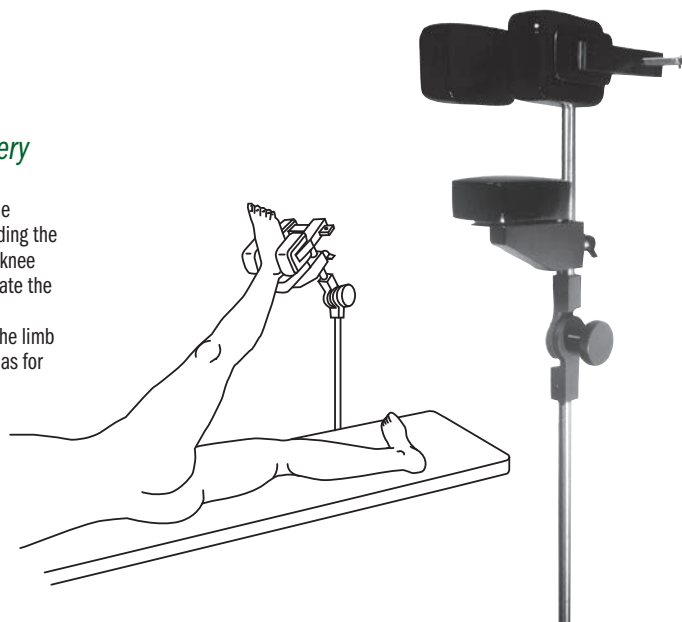
Designed by John Cherf, MD

Supports the lower extremity for prepping before hip or knee surgery

Useful for all lower extremity procedures and is particularly helpful for supporting the leg with the patient positioned in the lateral position. By holding the foot/ankle in an externally rotated position, the knee can be locked into extension which helps eliminate the need for manual support.

The leg holder may also be used to support the limb for surgical patients in the supine position such as for knee and foot/ankle procedures.

PRODUCT NO'S:	
2270	
Replacement Parts:	
4150-PD3	[Set of 3 Small Pads]



Capello Patient Positioner

Designed by William Capello, MD

Provides stable positioning of a patient during hip procedures

*Two-piece board design
for easy handling*

Interlocking board pieces



Also available in a one-piece design



PRODUCT NO'S:	
4090	[Set with 2-Piece Board]
4095	[Set with 1-Piece Board]
Replacement Parts:	
4090-PB	[2-Piece Positioning Board]
4095-PB	[1-Piece Positioning Board]
4090-06	[6" (15,2 cm) Radiolucent Peg] <i>Four included in set; one with this product number</i>
4090-08	[9" (22,9 cm) Radiolucent Peg] <i>Four included in set; one with this product number</i>
4090-SC	[Stabilizing Clamp] <i>Two included in set; one with this product number</i>
4090-01	[Large Gel Pad]
9120	[Table Clamp] <i>Two included in set; one with this product number</i>
Optional Parts:	
4090-02	[Peg Gel Pad]
4090-EXT	[Peg Extension - 4" (10,2 cm)]
4090-EXT6	[Peg Extension - 6" (15,2 cm)]
4090-EXT8	[Peg Extension - 8" (20,3 cm)]

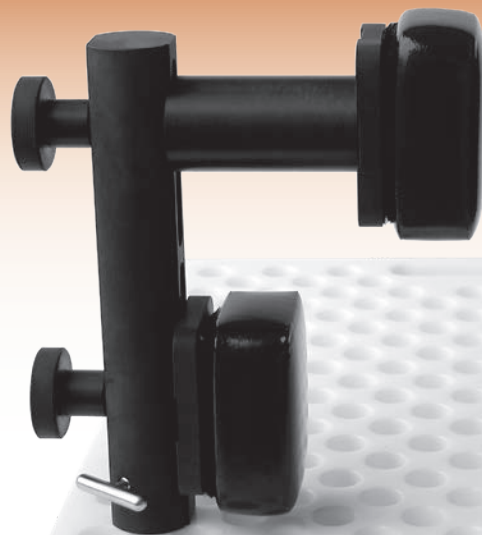
*Each set includes:
Board, Gel Pad,
(4) 6" Radiolucent Pegs,
(4) 9" Radiolucent Pegs,
(2) Stabilizing Clamps,
(2) Table Clamps.*

Optional two-piece board construction allows for easier use and storage. The board is also available in a one-piece design. All gel pads, pegs and peg height extensions can be used with existing peg boards.



*Optional 4", 6", & 8"
Peg Extensions*

Board Dimensions: 47" x 18.75" (119,4cm x 47,6cm)



Large Patient Peg Board Positioner Post Assembly

Designed by Paul Ramsey, MD

Especially helpful with large patients where reaching the a.s.i.s. is needed for stabilization

PRODUCT NO'S:	
4150-10P	[Complete Set]
Assembly Set Includes:	
4090-03	[Post Assembly Adapter]
4150-10B	[10" (25,4 cm) Post with 2 Pads]
4150-EXT	[2" (5,1 cm) Spacer with 4" (10,2 cm) Knob]
4150-EXT4	[4" (10,2 cm) Spacer with 6" (15,2 cm) Knob]

NOTE: The peg board positioner is available separately and is not included with this assembly set.



Post Assembly Adapter



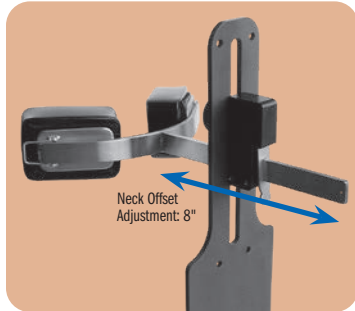


Nicholson Headrest

Designed by Gregory Nicholson, MD

Helps position the patient for all types of shoulder surgery in the beachchair position

Designed to provide excellent exposure to the shoulder, the headrest can be used with standard OR tables (with no modifications to the table). The headrest provides patient support and helps position the patient for all types of shoulder surgery—arthroscopic and open—in the beachchair position. It can be quickly placed and adjusted.



A gel pad forehead strap with velcro is included for optional use.

PRODUCT NO'S:
2450 [Headrest]
Main Plate Dimensions: 6" x 18" (15,2 x 45,7 cm)
Neck Offset Adjustment: 8" (20,3 cm)
Includes/Replacement Parts:
2450-S [Strap with Gel Pad]
4150-PD2 [Set of 2 Pads]



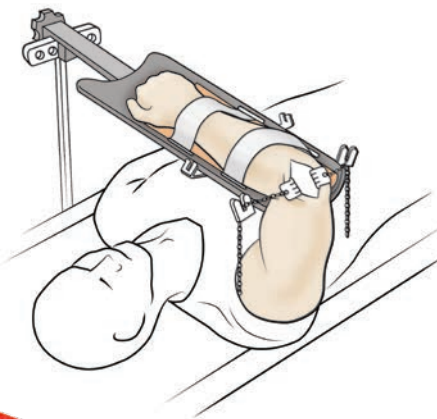
Provides excellent exposure to the shoulder, and patient support



Auerbach Arm Holder Rake Retractor Set

Designed by David M. Auerbach, MD

Allows intraoperative positioning for procedures of the posterior arm, elbow, and forearm



Set includes: Arm Holder Upright and Assembly, (2) 4-Prong Chain Retractors, (2) 6-Prong Chain Retractors, (2) Black Straps, Silicone Pad, and Table Clamp.



- ▶ Simple design for fast and easy positioning
- ▶ Connects over the drape in the sterile field using the supplied rail clamp and post
- ▶ Can be repositioned during surgery
- ▶ Sterilizable rubber pad protects the arm
- ▶ Retractors for the skin and soft tissues connect to the holder
- ▶ Compact for easy storage

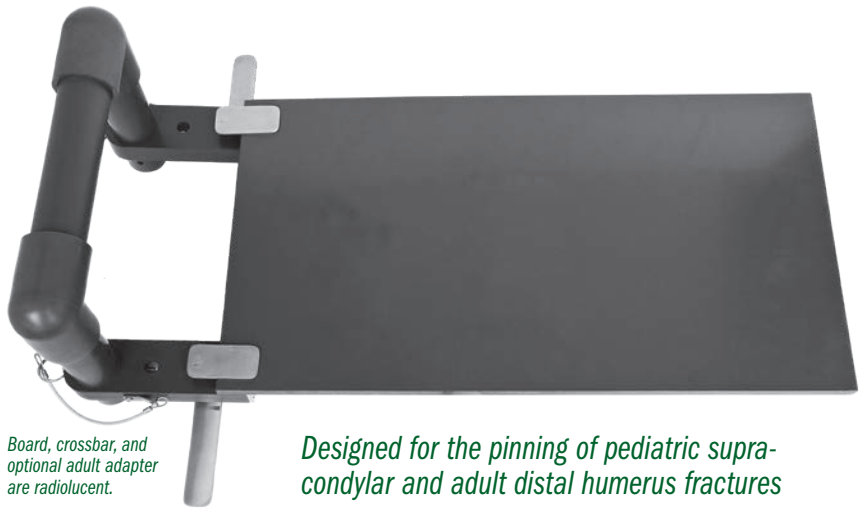
PRODUCT NO'S:
2415-00 [Set]
Individual/Replacement Parts:
2415-01 [Arm Holder Assembly]
Overall Length: 20" (50,4 cm)
Arm Holder Dimensions: 14.5" x 4" (36,9 x 10,2 cm)
Overall Width including Cleats: 7.5" (19,1 cm)
2415-02 [Arm Holder Upright Rod]
Overall Length: 19.25" (49,9 cm)
2415-04 [Rake Chain Retractor 4-Prong]
Two included in set, one with this product number
Overall Length including Chain: 10" (25,4 cm)
Retractor Width: .75" (1,9 cm)
2415-06 [Rake Chain Retractor 6-Prong]
Two included in set, one with this product number
Overall Length including Chain: 10" (25,4 cm)
Retractor Width: 1.25" (3,2 cm)
2595 [Table Clamp]
2770-P [Silicone Pad]
Dimensions: 12" x 5.5" (30,5 x 14 cm)
Replacement Parts:
2590-S [Black Straps] Pkg of 10



Distal Humerus Fracture Board

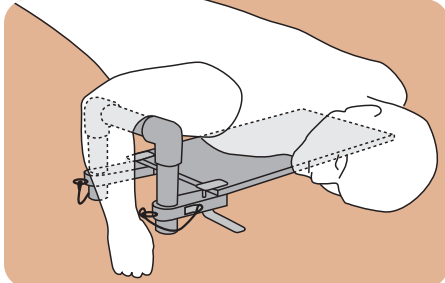
Designed by Burk Young, MD

Allows the surgeon to pin these fractures without having to manually hold the fracture reduced, allowing the surgeon to focus on accurate pin placement and reduction. The height of the crossbar is fully adjustable to accommodate different size patients. Reduction is achieved by an assistant gently applying axial traction through the forearm, with the crossbar applying the counter traction. Pinning is done with the C-arm in the lateral position. An optional separate attachment to support the arm for distal humerus fractures in adults is available. Unit not sterilizable.

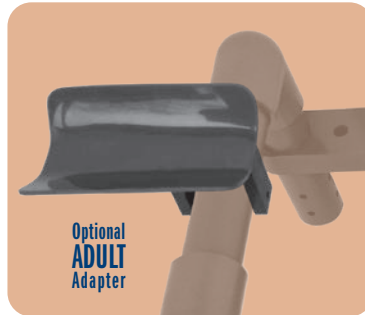


Board, crossbar, and optional adult adapter are radiolucent.

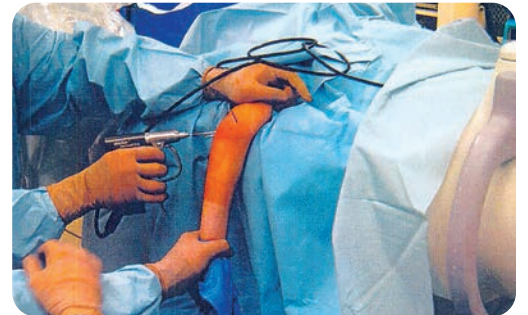
Designed for the pinning of pediatric supracondylar and adult distal humerus fractures



PRODUCT NO'S:
2445 [Fracture Board - Pediatric] Main Board Dimensions: 22" x 12" (55,8 cm x 30,5 cm) Crossbar Height Adjusts From: 4.5" to 7.5" (11,4 cm x 19,1 cm)
2445-01 [Fracture Board - With Adult Adapter]
Optional/Replacement Part:
2445-06 [Adult Adapter]



Optional ADULT Adapter



New!

Auerbach Hand Positioner Set

Designed by David Auerbach MD

Designed to position and retract the skin for surgical exposures of the hand, wrist and forearm



Hand Plate



Hand Tray



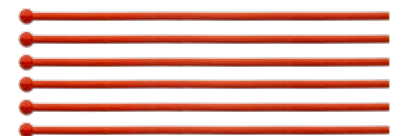
Retractors (4)



Cord Clips (7)



Wrist Straps (2)



Cords (6)

PRODUCT NO'S:
1747-00 [Auerbach Hand Positioner Set]
Also available individually:
1747-01 [Hand Plate] Dimensions: 15" x 7" (38,1 x 17,8 cm)
1747-02 [Hand Tray] Dimensions: 13.75" x 9.75" (34,9 x 24,8 cm)
1747-03 [Thumb Post]
1747-03-C [Thumb Post Clip]
1747-04 [Cord Clip] Seven (7) included in Set, One (1) with this product number.
1747-05 [Retractor] Four (4) included in Set, One (1) with this product number.
1747-06 [Wrist Strap Buckle] Two (2) included in Set, One (1) with this product number.
1747-07 [Wrist Strap] Two (2) included in Set, One (1) with this product number.
1747-08-6 [Set of 6 Cords]
1747-09 [Suction Holder]

Thumb Post & Clip
Shown attached to plate

Suction Holder
Insert in any corner
to help remove blood
accumulating in tray



Thumb Post

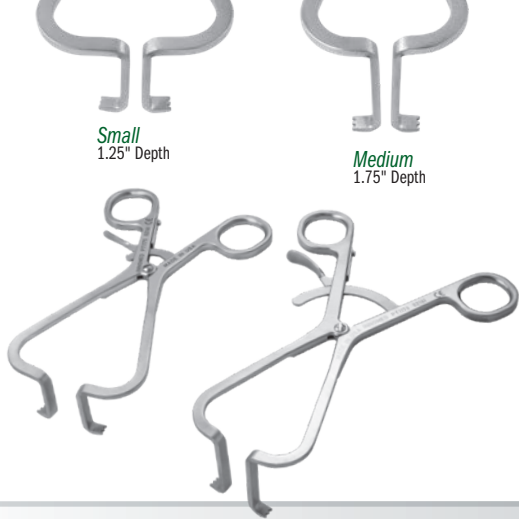
Wrist Strap Buckles (2)



Thumb Post Clip

Suction Holder



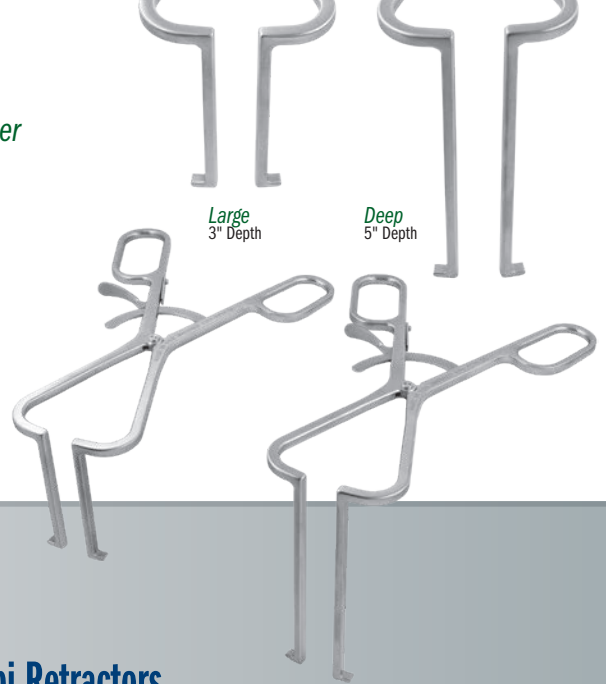


Flat Gelpi Retractors

Designed to help retract a broader area of soft tissue or muscle

PRODUCT NO'S:	
4191 [Small]	Overall Length: 6.5" (16,5 cm) Prong Depth: 1.25" (3,2 cm)
4192 [Medium]	Overall Length: 7.25" (18,4 cm) Prong Depth: 1.75" (4,4 cm)
4193 [Large]	Overall Length: 9" (22,9 cm) Prong Depth: 3" (7,6 cm)
4194 [Deep]	Overall Length: 10" (24,4 cm) Prong Depth: 5" (12,7 cm)

The two largest sizes feature an ergonomic handle for increased comfort and control.



Gelpi Retractors

PRODUCT NO'S:	
4180 [Standard]	Overall Length: 7.75" (19,7 cm)
4181 [With Ergonomic Handle]	Overall Length: 8.75" (22,2 cm)



Blount Retractor with Small Handle

Designed by Ronald Romanelli, MD

A blount retractor with a lightweight ergonomic handle designed for tissue retraction and closure assistance in knee, shoulder, and hip arthroplasty

PRODUCT NO:	
4852	Overall Length: 9.375" (25,1 cm) Handle Length: 4.625" (11,7 cm) Blade Depth: 1.5" (3,8 cm) Blade Width at Widest: xx mm



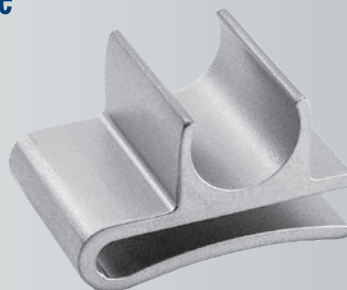
Retractor Clip for Smoke Evacuation Tube

Designed by James Saucedo, MD

Repositionable stainless steel fastener designed to clip onto a retractor to help control the location of a smoke evacuation tube

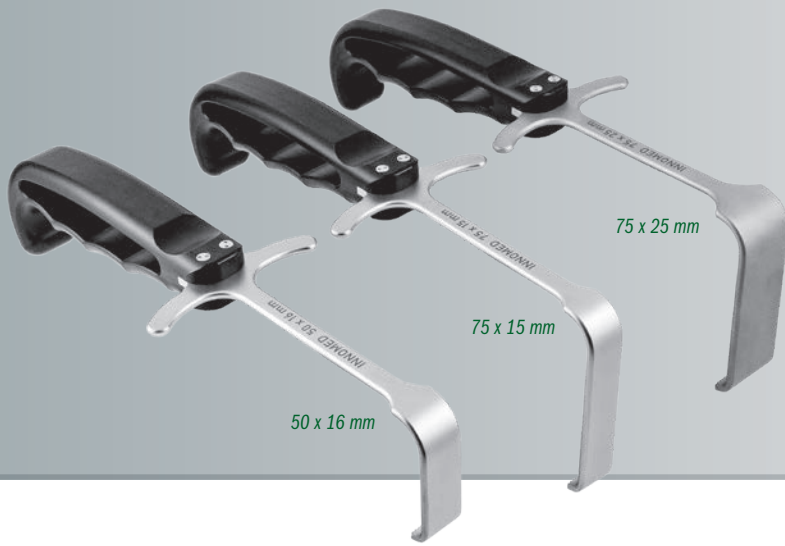
Allows for use on a 1/8" thick material with allowance for a "spring" fit.

PRODUCT NO:	
5466	Dimensions: 27 mm Long 18 mm Wide 16 mm Deep



New!



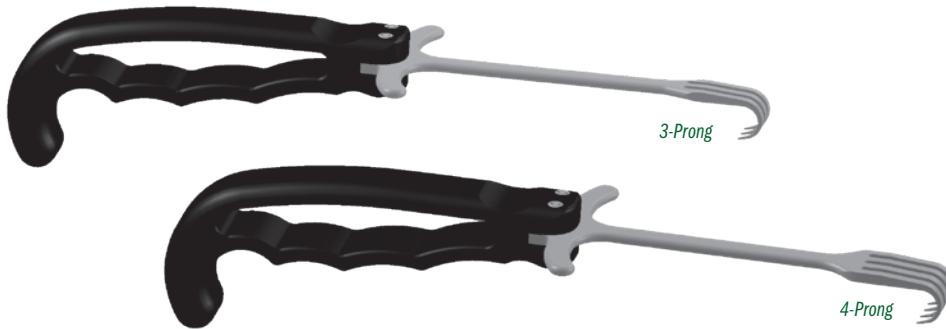


Meyerding Type Retractors with Ergonomic Handle

Designed for general use soft tissue retraction, the ergonomic handle allows for a better grip and less fatigue

Non-glare finish featured on the metal retractor parts.

PRODUCT NO'S:	
6241 [50 x 16 mm]	Overall Length: 8.875" (22,5 cm) Blade Width: 16 mm Blade Depth: 50 mm
6242 [75 x 15 mm]	Overall Length: 9" (22,9 cm) Blade Width: 15 mm Blade Depth: 75 mm
6243 [75 x 25 mm]	Overall Length: 9" (22,9 cm) Blade Width: 25 mm Blade Depth: 75 mm



Rake Retractors with Ergonomic Handle

Designed for general use soft tissue retraction

PRODUCT NO'S:	
4839 [3-Prong]	Overall Length: 9.5" (24,1 cm) Rake Width: 13 mm Rake Depth: 14 mm
4840 [4-Prong]	Overall Length: 9.5" (24,1 cm) Rake Width: 19 mm Rake Depth: 14 mm



Wide Rake Retractors with Ergonomic Handle

Designed for general use soft tissue retraction, the ergonomic handle allows for a better grip and less fatigue

Non-glare finish featured on the metal retractor parts.



PRODUCT NO'S:	
6051 [Deep, Sharp]	Overall Length: 11.175 (28,3 cm) Blade Width: 2.375" (6 cm) Blade Depth: 2.75" (7 cm)
6052 [Deep, Blunt]	Overall Length: 11.175 (28,3 cm) Blade Width: 2.375" (6 cm) Blade Depth: 2.75" (7 cm)
6053 [Shallow, Sharp]	Overall Length: 11.175 (28,3 cm) Blade Width: 2.375" (6 cm) Blade Depth: 1.875" (4,8 cm)
6054 [Shallow, Blunt]	Overall Length: 11.175 (28,3 cm) Blade Width: 2.375" (6 cm) Blade Depth: 1.875" (4,8 cm)

Sharp and dull teeth available in two depths



Rosen "V" Deep Soft Tissue Retractor

Designed by Adam Rosen, DO

Designed for soft tissue retraction with an ergonomic handle

PRODUCT NO:	
6239	Overall Length: 12" (30,5 cm) Blade Depth: (3.5" (8,9 cm) Blade Width: 1.75" (4,4 cm)



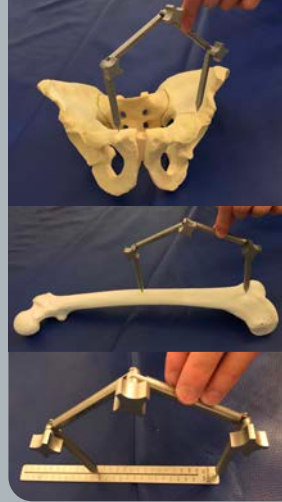
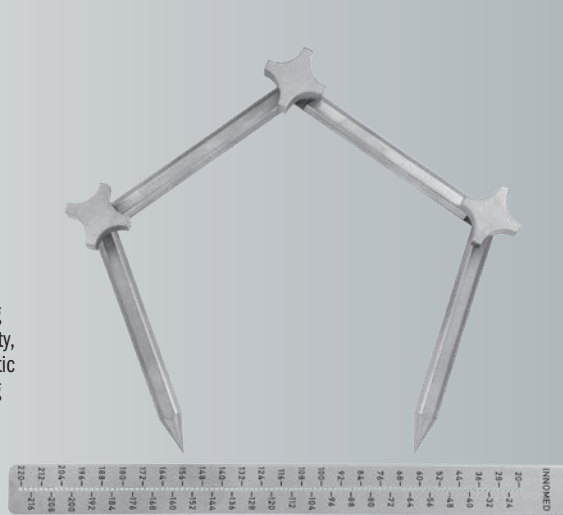
Articulated Measuring Device with Ruler

Designed by Vincent Y. Ng, MD

A highly precise (within 1 mm) device designed for measuring distances between two points – can be used even if there are intervening structures like soft tissue or bone, and in situations where a straight ruler will not work

PRODUCT NO'S:
2026-00 [Measuring Device with Ruler]
Set Includes/ Available Separately:
2026-01 [Measuring Device Only] Overall Length (unfolded): 15.25" (38,8 cm) Dimensions Triangle Folded: 4" x 4.25" (10,2 x 10,8 cm)
2026-02 [Ruler Only] Overall Length: 9" (22,9 cm) Width: .79" (2 cm)

Example of use include measuring limb length in total hip arthroplasty, confirming length in megaprosthesis knee replacements, and assessing dimensions of allografts.



The flexible, adjustable arm can help reduce patient (and technologist) embarrassment or discomfort when it is required to be positioned in a sensitive area such as the inner thigh.

Lombardi Self-holding X-ray Magnification Marker

Designed by Adolph Lombardi, MD

Helps to remove the variable of X-Ray magnification factor from the process of Orthopedic templating

Fully positionable, this orthopedic X-Ray calibration and marking device features a 1" (25.4 mm) stainless steel ball which, when properly positioned at bone level on a precise anatomical plane, will be this exact size when viewed from all angles, allowing it to be used as a calibration marker in surgical planning software applications, helping to gauge the size of other components on that plane. This helps establish precise anatomical measurement.

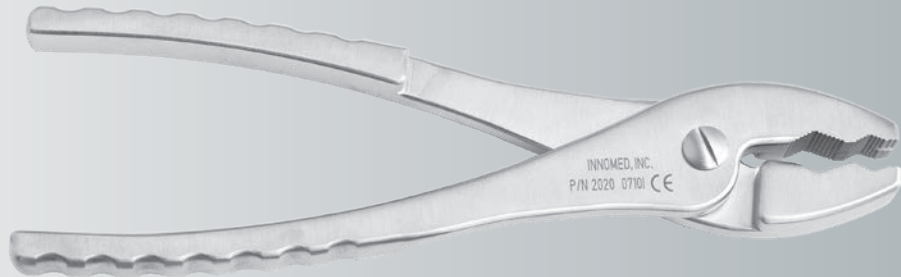
PRODUCT NO:
2672
Base Dimensions: 11" x 5.25" (27,9 cm x 13,3 cm)
Post Height: 7" (17,8 cm)
Arm Maximum Length: 13" (33 cm)



Screw Removal Pliers

Jaw designed to grasp onto a screw or screw head to help in removal

PRODUCT NO:
2020
Overall Length: 8 (20,3 cm)

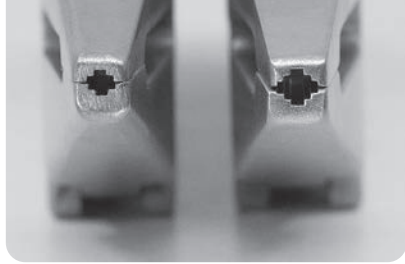


Long Jaw Needle Nose Pliers

PRODUCT NO:
1833
Overall Length: 7" (17,8 cm)
Jaw Length: 2.25" (5,7 cm)
Jaw Width Tapered from: 8 mm to 1.5 mm
Jaw Height Tapered from: 12 mm to 2.5 mm

MADE EXCLUSIVELY FOR INNOMED IN GERMANY





Screw/Pin Removal Locking Pliers

Unique jaw designed to solidly grip and clamp onto a screw head, broken screw, or pin for removal

NEW Small
Jaw End & Bite

Designed to securely grab pins as small as 1.4 mm (.055") up to 2.4 mm (.095")

Standard
Jaw End & Bite

Designed to securely grab larger pins, screw heads, or broken screws

Standard

Reduced jaw size for smaller screws, pins and incisions

Small



PRODUCT NO'S:	
S0142 [Standard]	Overall Length: 7.875" (20 cm) Jaw Width at End: 4 mm
S0142-01 [Small]	Overall Length: 7.875" (20 cm) Jaw Width at End: 4 mm

Screw Extractor with Speed Lock

Designed by Khaled Sarraf, MD & Konstantinos Doudoulakis, MD

Universal extractor designed to accommodate a large range of screws and screw heads from 3.95 to 9.5 mm

Can also be used to help with removal of other devices that may require a twisting universal locking gripper.

New!

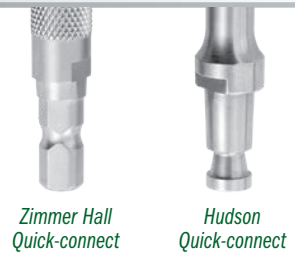
PRODUCT NO:
2021
Overall Length: 9.25" (23,5 cm)
Jaw Width: 11 mm
Jaw Length: 5 cm



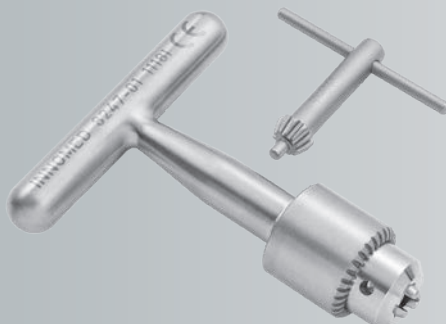
Large T-Handle Fixed Drivers

Large easy grip soft silicone handled drivers help provide a sturdy non-slip grip

PRODUCT NO'S:
8248 [Zimmer Hall Quick-connect]
Overall Length: 5.75" (15,6 cm)
Handle Width: 4.625" (11,6 cm)
8248-01 [Reverse Quick-connect Zimmer Hall]
Overall Length: 5.75" (15,6 cm)
Handle Width: 4.625" (11,6 cm)
8249 [Hudson Quick-connect]
Overall Length: 6.75" (17,1 cm)
Overall Length with Pin In Handle: 11.5" (29,2 cm)



The two standard Quick-connect models release by pulling the collar backward, while the Reverse Quick-connect model is designed to have the collar be pushed forward for release.



T-Handle Chuck & Key

PRODUCT NO'S:
8247-00 [T-Handle Chuck & Key]
8247-01 [T-Handle Chuck Only]
8247-02 [Chuck Key Only]



Soft Impact Mallets with Easy Grip Handles

Weidman handle designed by Kevin Weidman, MD

Provides shock-absorbing force

Filled with a shock-absorbing media and has a flat striking surface to keep the mallet centered on an instrument while providing less bounce or wasted force.

The comfortable Easy Grip handle is made of a textured silicone that helps prevent the surgeon's gloved hand from slipping and helps maintain a solid grip. The bottom can also be used to tap an implant in place.

The mallet with delrin head features a replaceable delrin head.



Easy Grip
Textured
Soft Silicone
Handles



Comfortable grip helps prevent the surgeon's gloved hand from slipping and helps maintain a solid grip.



Replacement Delrin Heads



PRODUCT NO'S:

7820 [2 lbs. Standard]
Weight: 2 lbs. (.907 kg)
Overall Length: 10.5" (26,7 cm)
Handle Length: 5" (12,7 cm)
Head Width: 3.5" (8,9 cm)
Head Diameter: 1.375" (3,5 cm)

7821 [2 lbs. w/Weidman Handle]
Weight: 2 lbs. (.907 kg)
Overall Length: 10.625" (27 cm)
Grip Length: 5.5" (14 cm)
Head Width: 3.5" (8,9 cm)
Head Diameter: 1.375" (3,5 cm)

7832 [2 lbs. With Delrin End]
Weight: 2 lbs. (.907 kg)
Overall Length: 10.5" (26,7 cm)
Handle Length: 5" (12,7 cm)
Head Width: 3.5" (8,9 cm)
Head Diameter: 1.375" (3,5 cm)

7837 [3 lbs. Standard]
Weight: 3 lbs. (1.35 kg)
Overall Length: 11" (27,9 cm)
Handle Length: 5" (12,7 cm)
Head Width: 3.5" (8,9 cm)
Head Diameter: 1.875" (4,8 cm)

Delrin Head Replacements for 7832:

7832-HEAD01 [.5" Stud] Single
7832-HEAD02 [.5" Stud] 3-Pack
7832-HEAD03 [.875" Stud] Single
7832-HEAD04 [.875" Stud] 3-Pack

Ortho Mallets with Easy Grip Handles

These solid stainless steel mallets each have a comfortable 4½" grip made of a textured silicone that helps prevent the surgeon's gloved hand from slipping and helps maintain a solid grip.



PRODUCT NO'S:

7810 [Small]
Overall Length: 8" (20,3 cm)
Handle Length: 4.5" (11,4 cm)
Head Weight: 1 lb. (.45 kg)
Head Diameter: 1.3125"

7815 [Large]
Overall Length: 8" (20,3 cm)
Handle Length: 4.5" (11,4 cm)
Head Weight: 1.75 lb. (.8 kg)
Head Diameter: 1.5" (3,8 cm)

Jones Mallet

Designed by Dickie Jones, MD

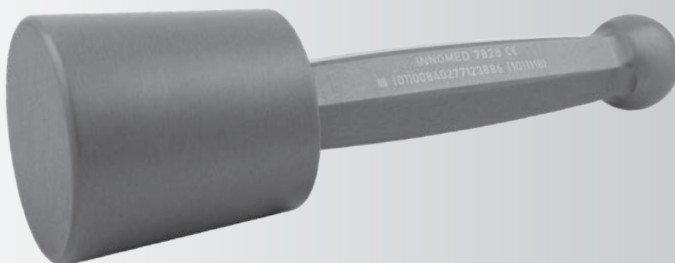
Unique hand fitting shape provides superior gripping strength

This striking instrument has a unique hand fitting shape that provides superior gripping strength for accurate light to heavy impaction.



PRODUCT NO:

7825 [2.4 lbs]
Overall Length: 8.25" (21 cm)
Head Width: 3" (7,6 cm)
Head Diameter: 1.5" (3,8 cm)



Aluminum Tapered Maul/Mallet

The large surface area allows the surgeon to focus on the action area of the instrument being struck, instead of making sure the mallet will strike the end of the instrument, much like a sculptors mallet

PRODUCT NO:

7828 [2.5 lbs]
Overall Length: 9.15" (23,2 cm)
Handle Length: 6" (15,2 cm)
End Diameter: 3" (7,6 mm)



Bechtold Ergonomic Orthopedic Mallet

Designed by Dustin Bechtold, MD

Ergonomically designed for forward and backward strikes, featuring an ergonomic handle with a tamp

PRODUCT NO:
7822
Overall Length: 10.75" (27,3 cm)
Head Width: 4" (10,2 cm)
Large Head Diameter: 2" (5,1 cm)
Small Head Diameter: 1.5" (3,8 cm)



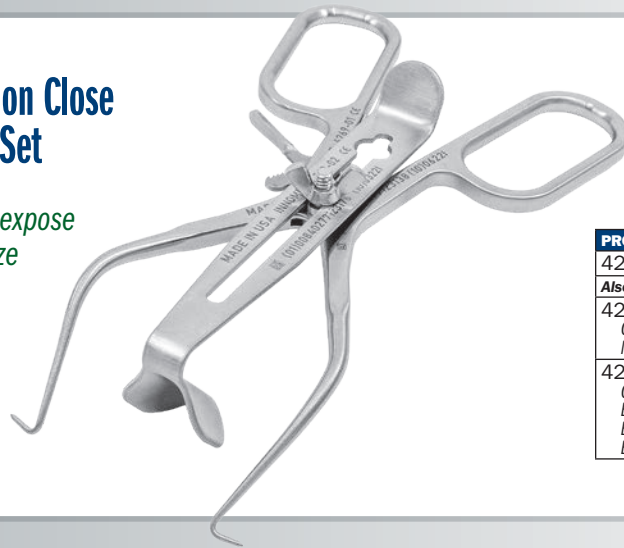
- ▶ Stainless steel head and shaft with an aluminum handle with a right-handed grip
- ▶ Large and small striking heads with smooth surface
- ▶ Palmar side of the mallet features a flat surface to slide along a broach or impacting type instrument for back slapping and serves well as an additional striking surface



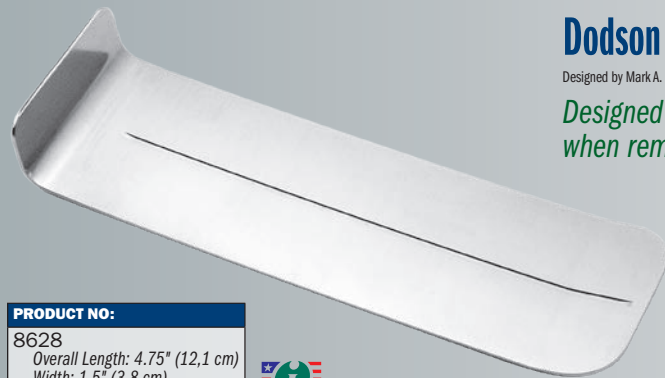
Stulberg Incision Close Gelpi & Blade Set

Designed by S. David Stulberg, MD

Designed to help expose difficult to visualize areas at the end of incisions



PRODUCT NO'S:
4269-00 [Set - 1 Gelpi & 1 Blade]
Also available Individually:
4269-01 [Gelpi]
Overall Length: 7.5" (19,1 cm)
Maximum Spread Width: 3.625" (9,2 cm)
4269-02 [Blade]
Overall Length: 5.5" (14 cm)
Blade Width: 1" (2,54 cm)
Blade Depth from Bend: 1.5" (3,8 cm)
Blade Bend-Back Angle: 130°



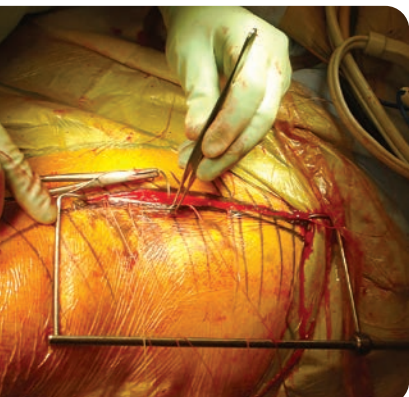
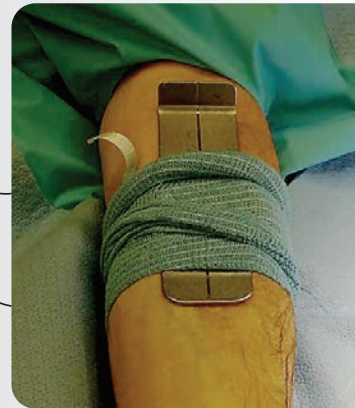
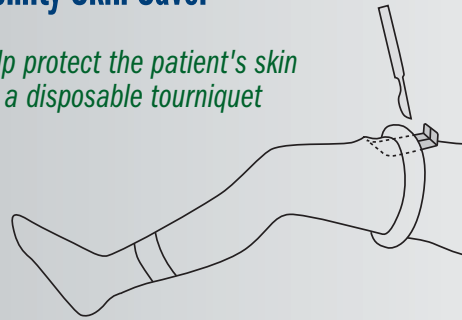
PRODUCT NO:
8628
Overall Length: 4.75" (12,1 cm)
Width: 1.5" (3,8 cm)
Lip: .5" (1,3 cm)



Dodson Extremity Skin Saver

Designed by Mark A. Dodson, MD

Designed to help protect the patient's skin when removing a disposable tourniquet

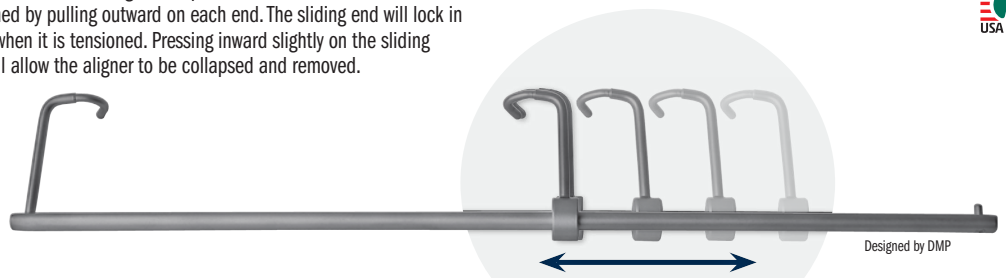


Incision Aligner

Designed to align an incision during closing

The bent ends of the aligner are placed at each end of an incision, which is aligned by pulling outward on each end. The sliding end will lock in place when it is tensioned. Pressing inward slightly on the sliding end will allow the aligner to be collapsed and removed.

PRODUCT NO:
1330
Overall Length: 14" (35,6 cm)
Blade Offset: 45 mm



Designed by DMP



Stanton Needle Driver

Designed by John L. Stanton, MD, FACS

Allows a heavy cutting needle such as an OS-6 to be pushed through cancellous bone when re-attaching muscle or tendon

The groove captures the outer (convex) side of the needle and prevents the needle from spinning even when applying significant pressure. Useful for reattaching the rotator cuff in rotator cuff repairs, as well as in attaching suture anchors.

PRODUCT NO:
3042
Overall Length: 6.75 (17,1 cm)
Jaw Width: .25" (6,3 mm)

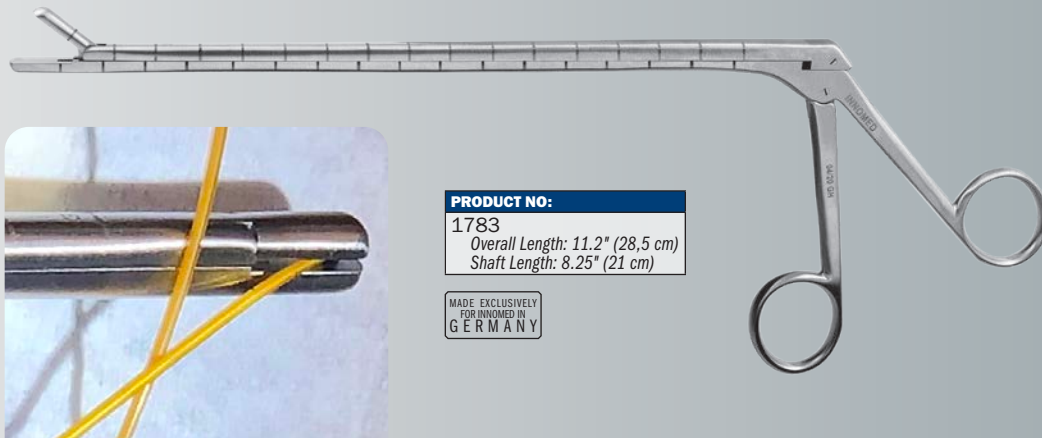


Kopplin Pain Catheter Insertion Grasper

Designed by Matthew Kopplin, MD

Designed with flat plate jaws and no teeth to help grasp a small pain catheter tip, allowing for insertion of the pain catheter without damaging the tip

Markings every 3 cm on shaft with a bold line at 12 cm for depth determination.



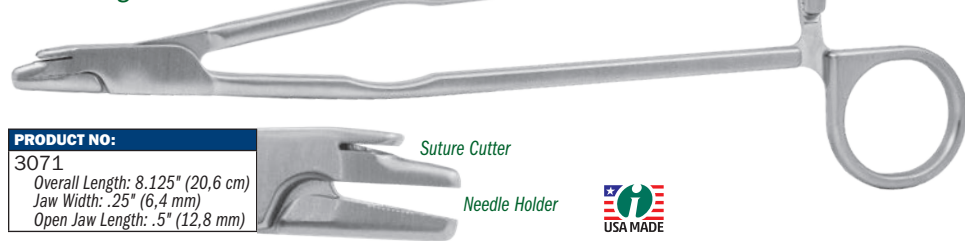
PRODUCT NO:
1783
Overall Length: 11.2" (28,5 cm)
Shaft Length: 8.25" (21 cm)

MADE EXCLUSIVELY FOR INNOMED IN GERMANY

Bates Needle Holder with Suture Cutter

Designed by James E. Bates, MD

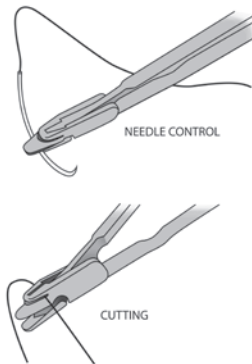
By trapping the suture and cutting when the forcep is opened, helps to reduce stress on the surgeon's hand



PRODUCT NO:
3071
Overall Length: 8.125" (20,6 cm)
Jaw Width: .25" (6,4 mm)
Open Jaw Length: .5" (12,8 mm)



- ▶ No switching between needle driver and scissors, or need for assistant to cut sutures for you
- ▶ Cutting with opening of forceps reduces possibility of damage to surrounding tissues
- ▶ Sliding the instrument down to the suture knot allows quick and consistent 2 mm suture tails
- ▶ Slip the suture strands into the suture cutting slot and slide the closed instrument along until desired length of tail is achieved, then open the instrument to cut the sutures

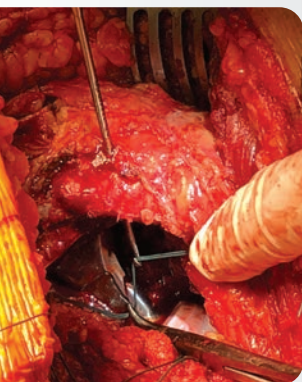


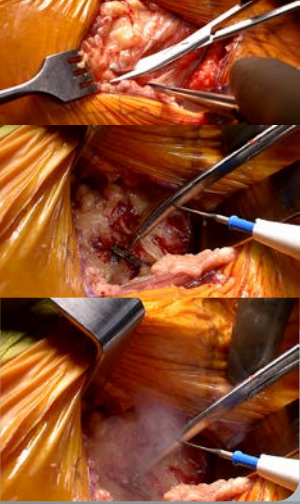
Straight Suture Passer

Designed by Brian T. Maurer, MD

Designed to help pass suture through bone

PRODUCT NO:
1111
Overall Length: 8.125" (20,6 cm)
Handle Length: 4.25" (10,8 cm)
Shaft Diameter: 2,5 mm





Wilke Angled Blunt Nose Scissors

Designed by Benjamin K. Wilke, MD

Allows blunt dissecting around critical structures (nerves, vessels, etc.) while maintaining a cutting surface for fascia. The tool's blunt ends can also be used for cauterizing and grabbing small vessels.

PRODUCT NO:
3078
Overall Length: 6" (15,2 cm)

MADE EXCLUSIVELY
FOR INNOVIMED IN
GERMANY



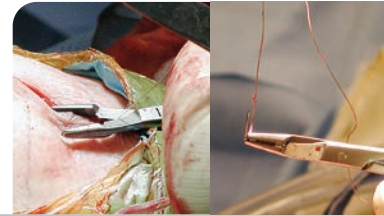
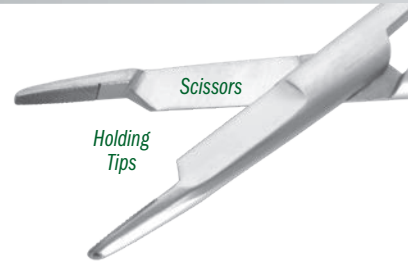
Longer sizes are helpful in orthopedics

Orthopedic Needle Holder/Scissors

Drive a needle and cut a suture without changing instruments

PRODUCT NO'S:
Standard Tips
3070 7.0" (17,8 cm)
Tungsten Carbide Tips
3055 5.5" (14 cm)
3065 6.5" (16,5 cm)
3075 7.0" (17,8 cm)

MADE FOR INNOVIMED IN
GERMANY



Rogozinski Locking Needle Driver/Scissors

Designed with a quick lock & release handle, can drive a needle and cut a suture without changing instruments



PRODUCT NO'S:
3083 [Standard]
Overall Length: 6.5" (16,5 cm)
3084 [Large]
Overall Length: 7.75" (19,7 cm)

Designed by
Chaim Rogozinski, MD

MADE EXCLUSIVELY
FOR INNOVIMED IN
GERMANY



Sweed Dissecting Scissors

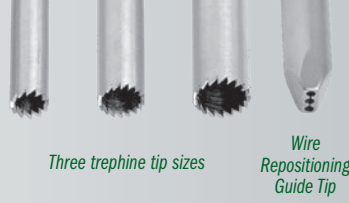
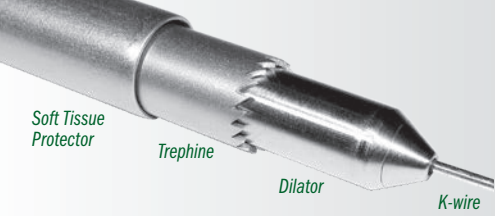
Designed by Tamer Sweed, FRCS (Orth)

Designed with a blunt, flat bar fixed to the lower limb, the scissors also act as a dissector to protect underlying vital structures

PRODUCT NO:
3081
Overall Length: 6.625" (16,8 cm)
Bottom Pad: 16 mm x 6 mm
Pad Extension Beyond Scissor: 6 mm

MADE EXCLUSIVELY
FOR INNOVIMED IN
GERMANY

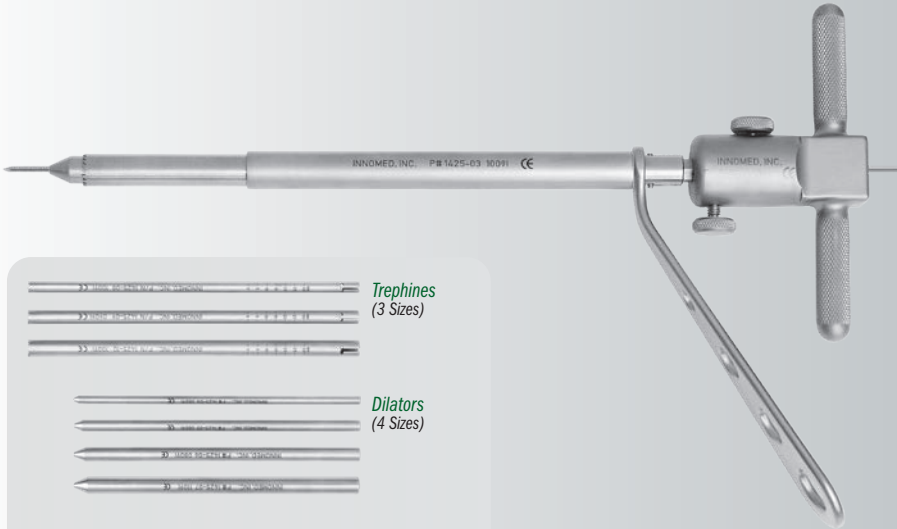




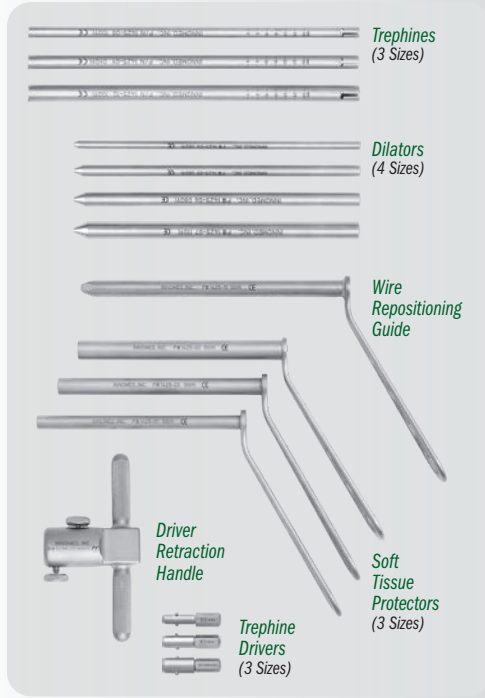
Cheng Biopsy Trephine System

Designed by Edward Cheng, MD

Cannulated T-handle and trephines allow use of a standard 1.6 mm (.062") threaded K-wire to help facilitate grasping and removal of a core bone sample for biopsy or core decompression



- ▶ Allows use of trephine at oblique angles to bone surface by using an anchoring K-wire and cannulated trephine
- ▶ Avoids "skipping" of trephine teeth on bone surface
- ▶ Facilitates optimal approach angle and direction of trephine
- ▶ Variety of core diameters yields bone samples of sufficient size for pathology
- ▶ Adapters allow for use of a power drill
- ▶ Minimally invasive – soft tissue sleeve protects surrounding structures and tissue
- ▶ Can also be used for bone graft harvesting
- ▶ Repositioning guide allows easy adjustment of targeting K-wire



PRODUCT NO'S:	
1425-00	[Complete Set with Case]
Set Includes/Available Separately:	
1425-01	[Soft Tissue Protector – Small]
1425-02	[Soft Tissue Protector – Medium]
1425-03	[Soft Tissue Protector – Large]
1425-04	[Dilator – 4.75 mm]
1425-05	[Dilator – 6.25 mm]
1425-06	[Dilator – 7.75 mm]
1425-07	[Dilator – 9.25 mm]
1425-08	[Trephine – Small] Internal Diameter: 5mm Overall Length: 7.125" (18,1 cm)
1425-09	[Trephine – Medium] Internal Diameter: 6.5 mm Overall Length: 7.125" (18,1 cm)
1425-10	[Trephine – Large] Internal Diameter: 8 mm Overall Length: 7.125" (18,1 cm)
1425-11	[Drive End – Small]
1425-12	[Drive End – Medium]
1425-13	[Drive End – Large]
1425-14	[Driver Retraction Handle] Includes (2) Handle Retaining Screws (#1425-14-B-COMP)
1425-15	[3-Hole Wire Repositioning Guide]
1425-Case	[Case]
Replacement Part:	
1425-14-B-COMP	[Handle Retaining Screw]

Complete Set in Case



K-wire not included.

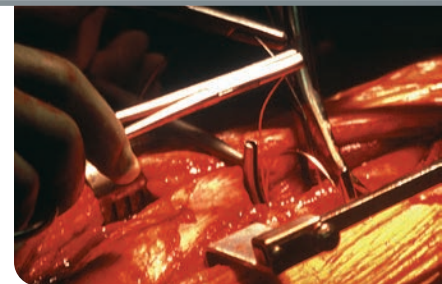


Incavo Wire Passer

Designed by Stephen J. Incavo, MD

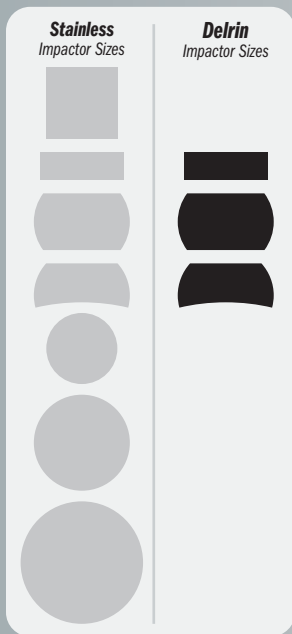


Designed to pass multiple cerclage wires around a bone during a multiple wire wrap procedure



PRODUCT NO'S:	
8610-01	[Small] Overall Length: 7.5" (19,1 cm) Accepts Wire Up To: 4 mm (5/32") For Bone Diameter Up To: 1.2" (3 cm)
8610-02	[Large] Overall Length: 8.675" (21,9 cm) Accepts Wire Up To: 4 mm (5/32") For Bone Diameter Up To: 2.4" (6 cm)





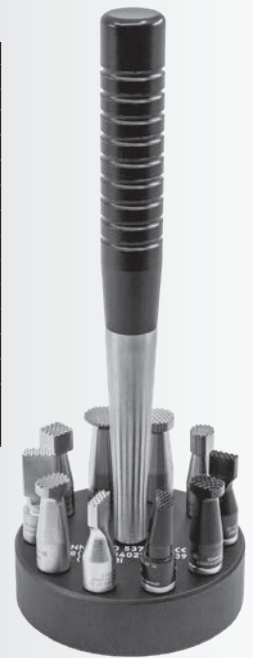
Modular Impactor Set

Makes multiple impactor heads easily visible and available

Designed to have available to the operating surgeon multiple types of impactors utilizing one handle. The rack uses less space and allows the surgeon to quickly see the designs available. The impactors are supplied with stainless steel tips for bone and delrin tips which can be used against an implant for slight placement adjustments.

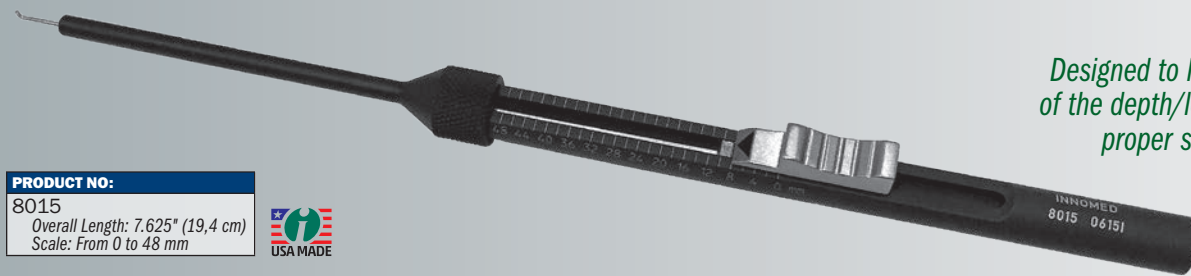


PRODUCT NO:	
5370	[Complete Set]
Included In Set / Also Available Individually:	
5370-01	[Rectangular Tip 11 mm x 4 mm Steel]
5370-02	[Oval Tip 13 mm x 8 mm Steel]
5370-03	[Crescent Tip 12 mm x 5 mm Steel]
5370-04	[Square Tip 9 mm x 9 mm Steel]
5370-05	[Round Tip 15 mm Steel]
5370-06	[Round Tip 12 mm Steel]
5370-07	[Round Tip 9 mm Steel]
5370-19	[Set Base] Base Diameter: 3.5" (8,9 cm)
5370-D1	[Rectangular Tip 11 mm 4 mm Delrin]
5370-D2	[Oval Tip 13 mm x 8 mm Delrin]
5370-D3	[Crescent Tip 12 mm x 5 mm Delrin]
5370-H	[Modular Handle]
Overall Length: 8" (20,3 cm)	
Grip Length: 4.5" (11,4 cm)	



Ortho Impactors

PRODUCT NO'S:	
Overall Length: 9" (22,9 cm)	
Shaft Diameter: 9 mm	
5331	[11 x 4 mm Rectangle]
5332	[12 x 7 mm Rectangle]
5333	[12 mm Tapered]
5334	[9 mm Square]
5335	[15 mm Round]
5336	[12 mm Round]
5337	[9 mm Round]



PRODUCT NO:
8015
Overall Length: 7.625" (19,4 cm)
Scale: From 0 to 48 mm



Depth Gauge

Designed to help provide measurement of the depth/length of any bone hole for proper screw length determination

Mengato Depth Gauge

Designed by Richard Mengato, MD

Right-handed design with 3 rings gives 3-point grip for ease of holding and manipulation

Allows for superior gauge control and manipulation, to advance, engage and maintain the hook on the distal cortex by leveraging the probe against the bone hole and keeping gentle tension on the hook.



PRODUCT NO:
1139
Overall Length - Contracted: 7.125" (18,1 cm)
Overall Length - Extended: 9.125" (23,2 cm)
Gauge: 0 to 50 mm

Ortho Mini Gouges

Mini orthopedic gouges with ergonomic handles, designed for bone resection in small areas and resection of periosteum



5 mm Gouge Shown

PRODUCT NO'S:

1168-2 [2 mm Gouge] Overall Length: 5.75" (14,6 cm) Gouge Width: 2 mm	MADE EXCLUSIVELY FOR INNOMED IN GERMANY
1168-3 [3 mm Gouge] Overall Length: 5.75" (14,6 cm) Gouge Width: 3 mm	1168-6 [6 mm Gouge] Overall Length: 5.75" (14,6 cm) Gouge Width: 6 mm
1168-4 [4 mm Gouge] Overall Length: 5.75" (14,6 cm) Gouge Width: 4 mm	1168-7 [7 mm Gouge] Overall Length: 5.75" (14,6 cm) Gouge Width: 7 mm
1168-5 [5 mm Gouge] Overall Length: 5.75" (14,6 cm) Gouge Width: 5 mm	1168-8 [8 mm Gouge] Overall Length: 5.75" (14,6 cm) Gouge Width: 8 mm

PRODUCT NO'S:

Offset Chisels	Straight Chisels
1169-1 [1 mm Offset Chisel] Overall Length: 6.25" (15,9 cm) Chisel Width: 1 mm	1170-3 [3 mm Straight Chisel] Overall Length: 6.4" (16,3 cm) Chisel Width: 3 mm
1169-2 [2 mm Offset Chisel] Overall Length: 6.25" (15,9 cm) Chisel Width: 2 mm	1170-4 [4 mm Straight Chisel] Overall Length: 6.4" (16,3 cm) Gouge Width: 4 mm
1169-3 [3 mm Offset Chisel] Overall Length: 6.25" (15,9 cm) Chisel Width: 3 mm	1170-5 [5 mm Straight Chisel] Overall Length: 6.4" (16,3 cm) Gouge Width: 5 mm
1169-4 [4 mm Offset Chisel] Overall Length: 6.25" (15,9 cm) Chisel Width: 4 mm	MADE EXCLUSIVELY FOR INNOMED IN GERMANY
1169-5 [5 mm Offset Chisel] Overall Length: 6.25" (15,9 cm) Chisel Width: 5 mm	

Ortho Mini Chisels

Mini orthopedic chisels, straight and offset, with straight and ergonomic handles



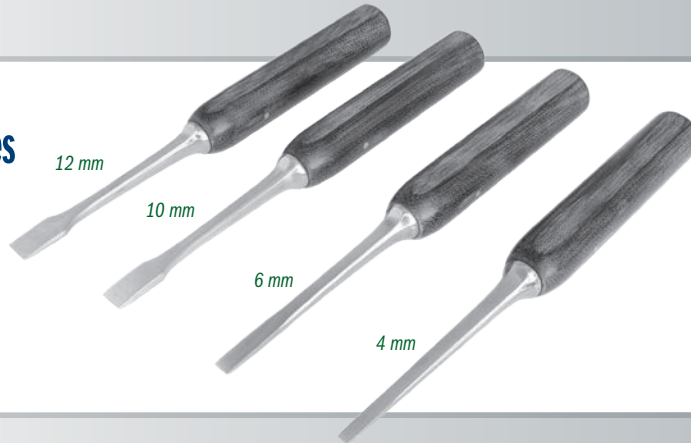
5 mm Offset Chisel Shown

4 mm Straight Chisel Shown

Mini-lexer Osteotomes

Helpful with osteophyte and cement removal

Small, thin osteotomes helpful with osteophyte and cement removal. Larger handle helps with better control.



12 mm

10 mm

6 mm

4 mm

PRODUCT NO'S:

5270-01 Blade Width: 4 mm Overall Length: 7.25" (18,4 cm) Handle Length: 4" (10,2 cm)	5270-03 Blade Width: 10 mm Overall Length: 7.25" (18,4 cm) Handle Length: 4" (10,2 cm)
5270-02 Blade Width: 6 mm Overall Length: 7.25" (18,4 cm) Handle Length: 4" (10,2 cm)	5270-04 Blade Width: 12 mm Overall Length: 7.25" (18,4 cm) Handle Length: 4" (10,2 cm)

MADE FOR INNOMED IN GERMANY



PRODUCT NO'S:

Straight Shaft		
Overall Length: 8.75" (22,2 cm)		
5150 [3 mm, Straight] Ring Diameter: 3 mm	5152 [6 mm, Straight] Ring Diameter: 6 mm	5154 [8 mm, Straight] Ring Diameter: 8 mm

MADE FOR INNOMED IN GERMANY

Ring Curettes



PRODUCT NO'S:

Bent Shaft		
Overall Length: 8.625" (21,9 cm)		
5156 [3 mm, Bent] Ring Diameter: 3 mm	5157 [6 mm, Bent] Ring Diameter: 6 mm	5158 [8 mm, Bent] Ring Diameter: 8 mm

MADE FOR INNOMED IN GERMANY



Rudisill Locking Small Bone Reduction Forcep

Designed by Ed Rudisill, MD

For reduction of hand phalanx and metacarpal fractures

PRODUCT NO:

2017
Overall Length: 4.875" (12,4 cm)

MADE EXCLUSIVELY FOR INNOMED IN GERMANY



Faillace Bone Impact/Graft Forceps

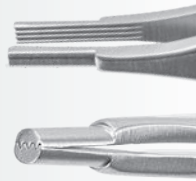
Design modification by John J. Faillace, MD, FFAOS

Long vertical grooves at the tip are designed to deliver graft into a small space, where a freer elevator can be used to push the graft down into the space, then the closed flat end can be used to tamp down the graft



MADE EXCLUSIVELY FOR INNOMED IN GERMANY

PRODUCT NO:
5011
Overall Length: 5" (12,7 cm)
Tip Diameter When Closed: 3,2 mm



Universal Bone Grafting/Impacting Forceps

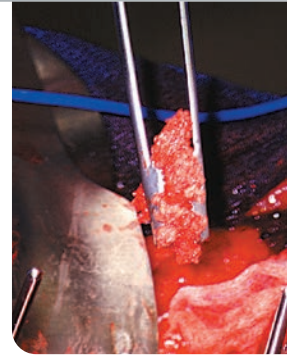
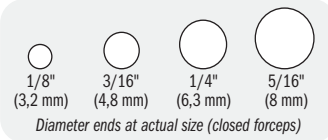
Designed by J.A. Amis, MD

Bone graft can be grasped, placed & impacted without changing hands or instruments

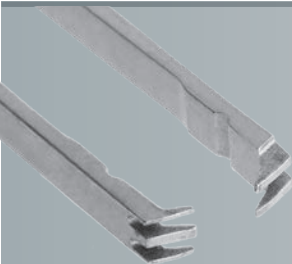
The forceps are designed with grasping ends for delivery of bone graft. When the graft is in place, the forceps are closed, which forms the ends into an impacting punch. A striking platform is attached to the end of the forceps for tapping and tamping the graft. Four end diameters are available in two lengths.

PRODUCT NO'S:	
Short: 6" (15,2 cm) Length	Long: 10" (25,4 cm) Length
5010-01 1/8" (3,2 mm) Diameter End	5050-01 1/8" (3,2 mm) Diameter End
5010-02 3/16" (4,8 mm) Diameter End	5050-02 3/16" (4,8 mm) Diameter End
5010-03 1/4" (6,3 mm) Diameter End	5050-03 1/4" (6,3 mm) Diameter End
5010-04 5/16" (8 mm) Diameter End	5050-04 5/16" (8 mm) Diameter End

MADE EXCLUSIVELY FOR INNOMED IN GERMANY



When the forceps are closed, they form into an impacting punch



Charnley Type Tissue Needle Forceps

Designed by Amal Das Jr., MD

Helpful for wound closure in deep areas with fascia under tension such as hip or knee replacement

Can also help retrieve a needle in a tight area.



MADE EXCLUSIVELY FOR INNOMED IN GERMANY

PRODUCT NO:
1165
Overall Length: 6.875" (17,5 cm)



PRODUCT NO:
1166
Overall Length: 4.75" (12,1 cm)
Tip Width: 2.4 mm (2,4 mm)

MADE EXCLUSIVELY FOR INNOMED IN GERMANY

Adson Forceps with Cobb Elevator End

Designed by Oscar Castro-Aragon, MD

Has the advantages of having a Cobb tip at the end of an Adson forceps

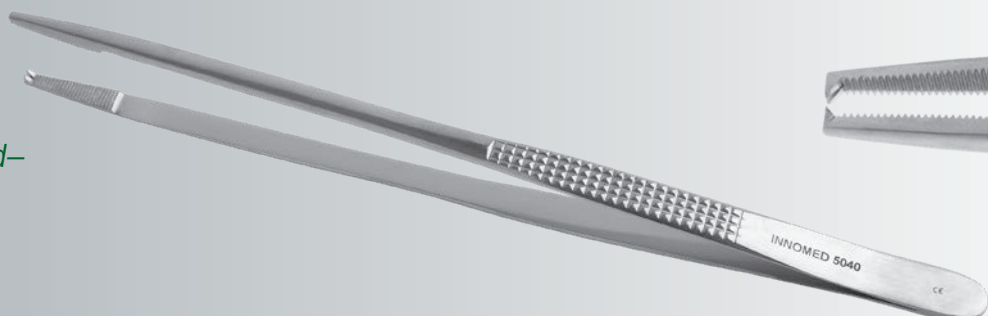
Allows the opportunity to do soft tissue dissection, cleaning of the bone or bone fragments in a fracture, push bone fragments to hold a reduction in a fracture, separate soft tissue, and turn it around to pick up tissue without having to switch instruments back and forth.

Long Bonney Tissue Forceps

Extra length—3" more than standard—allows for use in deep wound areas

PRODUCT NO:
5040
Overall Length: 10" (25,4 cm)

MADE EXCLUSIVELY FOR INNOMED IN GERMANY





Available with or without teeth

Cobb Elevators

Two Sizes Available With or Without Teeth

Ultra hard titanium nitride coating helps to extend blade life by increasing surface hardness, prolonging sharpness, and resisting chemicals and corrosion.

PRODUCT NO'S:	
WITH TEETH	WITHOUT TEETH
3432 [1/2" with Teeth] Overall Length: 11" (27,9 cm) Blade Width: 1/2" (13 mm)	3436 [1/2" without Teeth] Overall Length: 11" (27,9 cm) Blade Width: 1/2" (13 mm)
3434 [1" with Teeth] Overall Length: 11" (27,9 cm) Blade Width: 1" (25,4 mm)	3438 [1" without Teeth] Overall Length: 11" (27,9 cm) Blade Width: 1" (25,4 mm)



Bradley Periosteal Elevator

Designed by Gary W. Bradley, MD

PRODUCT NO'S:
4719 [1/2"] Overall Length: 11" (27,9 cm) Blade Width: .5" (13 mm)
4720 [3/4"] Overall Length: 11" (27,9 cm) Blade Width: .75" (19 mm)



Periosteal Elevator

Designed for better control

Designed with a curved end for easier use, and sharper sides for ease of elevating and stripping. The handle is designed for better control.

PRODUCT NO'S:
3450 [Curved] Overall Length: 7.5" (19,1 cm) Handle Length: 4.5" (11,4 cm) Blade Size: 16 x 13 mm
3455 [Straight] Overall Length: 7.75" (19,7 cm) Handle Length: 4.5" (11,4 cm) Blade Size: 19 x 14 mm



Gray Syringe Assist with Ergonomic Handle

Designed by Robert Gray, MD

For use in the O.R or the office, the design helps to prevent hand fatigue and pain when injecting with a 20mL syringe over multiple cases

- ▶ Sterilizable for O.R use, such as injecting the posterior capsule during TKA
- ▶ Especially useful for injecting preoperative local anesthesia for WALANT surgery
- ▶ Uses finger flexors to generate more force over more surface area than only the thumb flexor
- ▶ Ratchet mechanism ensures maximal grip force generation throughout entire injection



Syringe not included.

PRODUCT NO:
8988 Overall Length - Closed: 5.25" (13,3 cm) Overall Length - Open: 7.5" (19,1 cm) Height: 5" (12,7 cm) Syringe Diameter: 21 mm



Patent Pending



White Aspiration Handle

Designed by Edward White, MD

Designed for aspiration of cavities or spaces that have greater than 20 ml volume, such as joints, bone marrow, and the iliac crest

Works with a 60 ml syringe (not included) only.

Syringe not included.

PRODUCT NO:
1131 Height: 5" (12,7 cm) Length: 6.5" (16,5 cm) / Extends to 11" (27,9 cm) Width at Syringe Holder: 1.5" (3,8 cm) Body Width: .9" (2,3 cm)



Ortho Suction Tube

Designed by T. Eickmann, MD

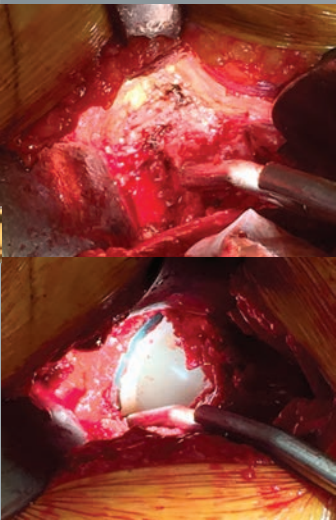
Very effective for suction and minor retracting

Helps eliminate plugging due to bone, cement fragments, blood clots, etc.

PRODUCT NO:

5465

Overall Length: 9.25" (23,5 cm)
End Hole Dia.: 1 mm
Side Hole Dia.: 1.5 mm

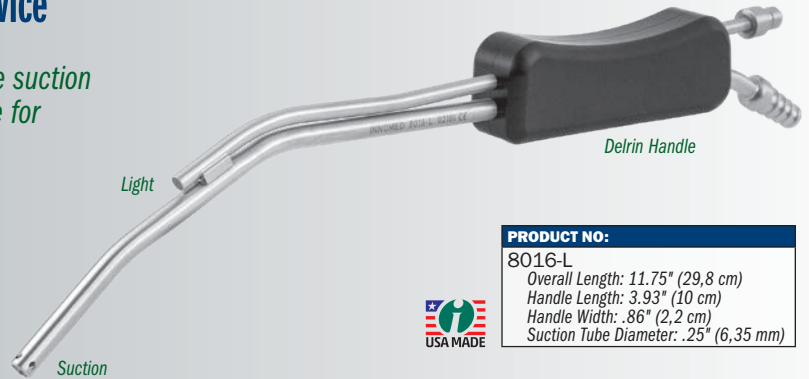


Lighted Yankaur Suction Device

Designed by Adolph V. Lombardi Jr., MD

Designed to help provide effective suction with the addition of a light source for enhanced visualization

- ▶ Can be attached to a fiber optic light cable with ACMI (female) connector
- ▶ Entire device is steam sterilizable
- ▶ The handle is made of Delrin



PRODUCT NO:

8016-L

Overall Length: 11.75" (29,8 cm)
Handle Length: 3.93" (10 cm)
Handle Width: .86" (2,2 cm)
Suction Tube Diameter: .25" (6,35 mm)



Beicker Curette Suction Device

Designed by Clint Beicker, MD

Designed to help visualization of a fracture site within a fracture hematoma

Also useful for arthroscopic curettage of osteochondral lesions.



PRODUCT NO:

4231

Overall Length: 10.5" (26,7 cm)
Curette Cup: 7.5 mm x 5.5 mm



Gelbke Cobb Elevator with Suction

Designed by Martin K. Gelbke, MD



Designed to be used during exposure of the posterior spine, as well as for pelvic and acetabular trauma cases

PRODUCT NO:

3433

Overall Length: 12.75" (32,4 cm)
Cobb End Width: 18 mm (.7")
Shaft plus Head Length: 5.5" (15 cm)



Reusable Light Wand

Designed for illumination of deep incisions



Can be attached to a fiber optic light cable with ACMI (female) connector.

PRODUCT NO:

8010-02

Overall Length: 13.5" (34,3 cm)
Handle Length: 5.55" (13,3 cm)
Bend Angle: 45°



FREE TRIAL

on most instruments

Instruments are available for a no-charge two-week evaluation – includes FREE UPS Ground Shipping*

*When shipped to a hospital or medical center; additional charge applies for expedited shipping.
Free trial offer excludes implant extraction instruments, which are available as rentals. There is a pad replacement charge with the hip positioners.

Das Anterior Hip Bolster Assembly

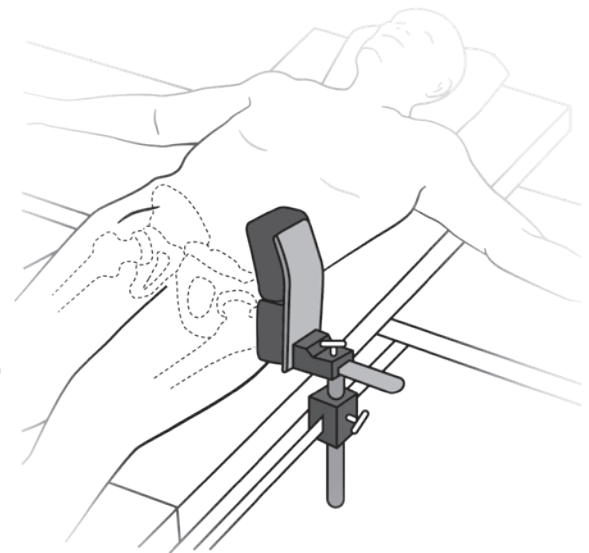
Designed by Amal Das, MD

Designed to help provide counter resistance on the contralateral hip when reaming and implant insertion during direct anterior arthroplasty

PRODUCT NO'S:	
4166-00	[Das Anterior Hip Bolster Assembly]
Set Includes / Available Individually:	
4166-01	[Das Anterior Hip Bolster Support]
4166-02	[Das Anterior Hip Bolster Rod]
Set Includes / Replacement Parts:	
2595	[Table Clamp]
4150-PD2	[Positioning Pads - Set of 2]
4150-PS	[Post Screw]



New!



INNOMED, INC
103 Estus Drive
Savannah, GA 31404

Tel 912.236.0000
Fax 912.236.7766

innomed.net
info@innomed.net

Innomed-Europe LLC
Alte Steinhauserstr. 19
CH-6330 Cham, Switzerland
Tel 0041 (0) 41 740 67 74

Innomed-Europe GmbH
Villingen-Schwenningen,
Deutschland
Tel 0049 (0) 7720 46110 60

www.innomed-europe.com
orders@innomed-europe.com

TOLL FREE 1.800.548.2362



ISO 13485:2016

