

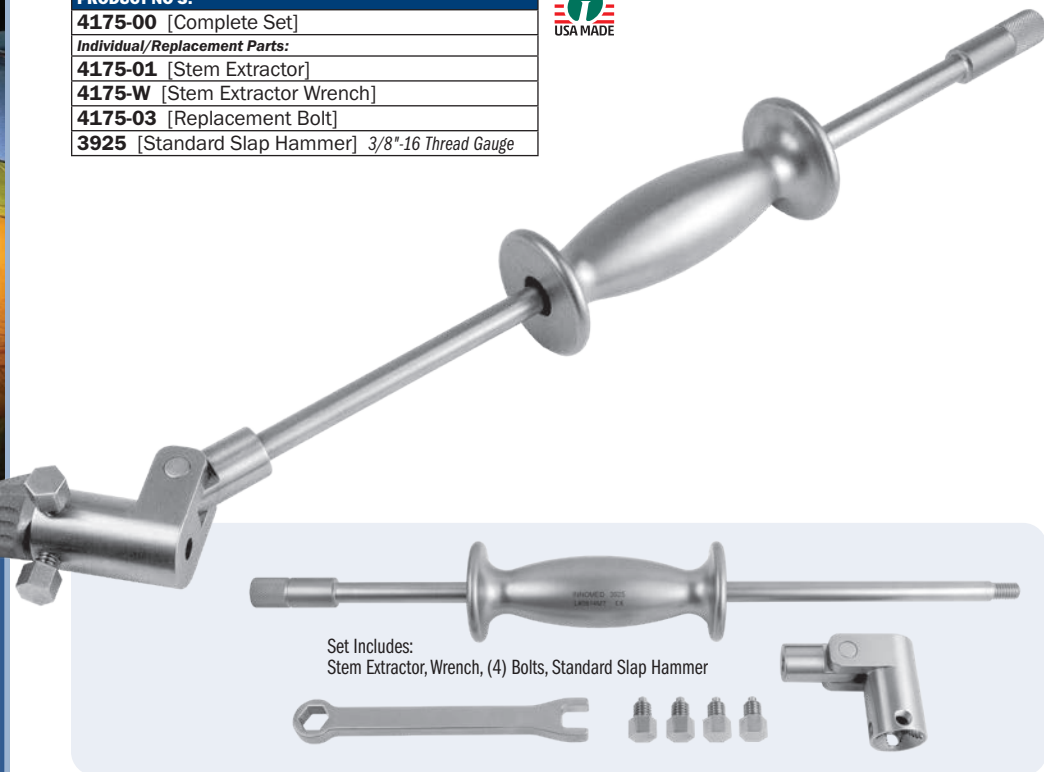
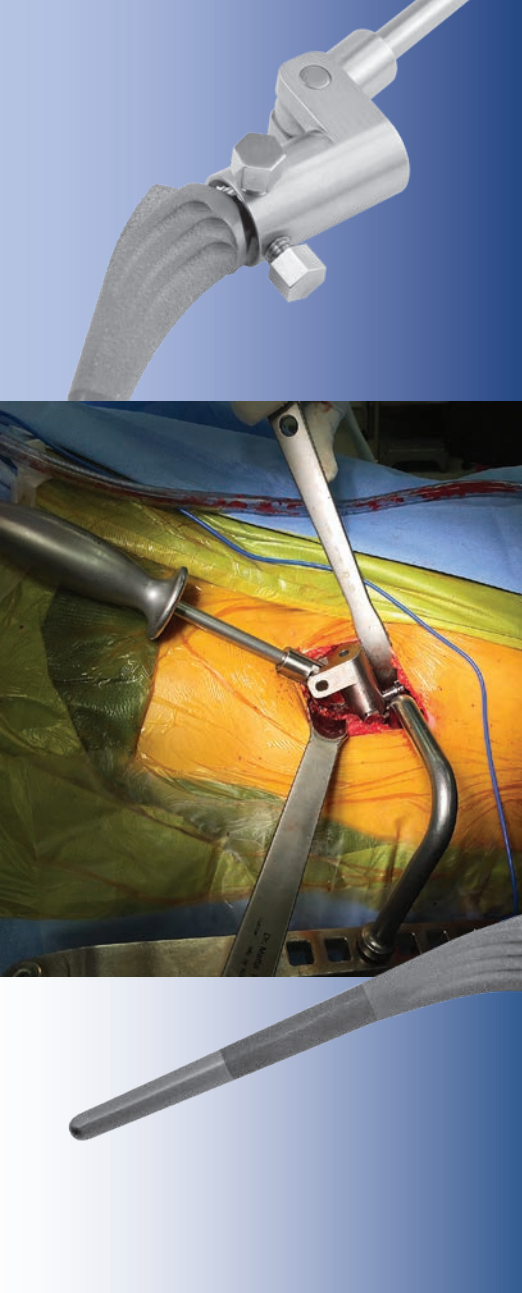
# Whelan Hip Stem Extractor

Designed by E. J. Whelan, III, MD

*Designed to lock onto and remove a femoral hip stem after the modular head has been removed*

Extraction normally requires two bolts to be used to clamp onto, tighten, and extract the component. Four bolt holes, distributed evenly around the stem extractor, allow the surgeon to choose which holes will offer optimal access for placing and tightening the bolts.

PRODUCT NO'S:	
<b>4175-00</b>	[Complete Set]
<b>Individual/Replacement Parts:</b>	
<b>4175-01</b>	[Stem Extractor]
<b>4175-W</b>	[Stem Extractor Wrench]
<b>4175-03</b>	[Replacement Bolt]
<b>3925</b>	[Standard Slap Hammer] 3/8"-16 Thread Gauge



Set Includes:  
Stem Extractor, Wrench, (4) Bolts, Standard Slap Hammer

PRODUCT NO'S:	
<b>3605-00</b>	[Attachment Set]
<b>Individual/Replacement Parts:</b>	
<b>3605-01</b>	[Strike Plate Unit Only] Overall Length: 16" (40,6 cm) Platform Size: 2" x 2" (5,1 cm x 5,1 cm)
<b>3605-02</b>	[Screws] Pair



Set Includes: strike plate unit and two (2) screws.

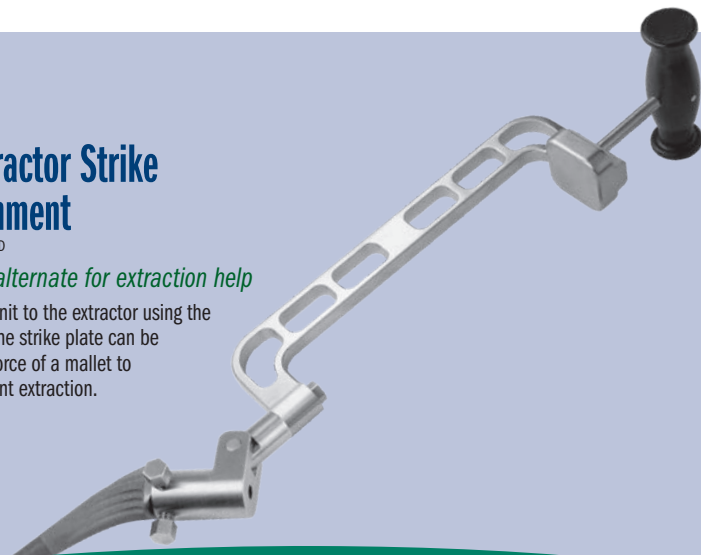


## Whelan Extractor Strike Plate Attachment

Designed by E. J. Whelan, III, MD

*A slap hammer alternate for extraction help*

After attaching the unit to the extractor using the replaceable screw, the strike plate can be struck with the full force of a mallet to assist with component extraction.



[www.innomed.net](http://www.innomed.net)



# INNOMED

ISO 13485:2016

FREE TRIAL ON MOST INSTRUMENTS



103 Estus Drive, Savannah, GA 31404  
info@innomed.net

912.236.0000 Phone  
912.236.7766 Fax

Innomed-Europe Tel. +41 41 740 67 74  
info@innomed-europe.com

1.800.548.2362

© 2025 Innomed, Inc.