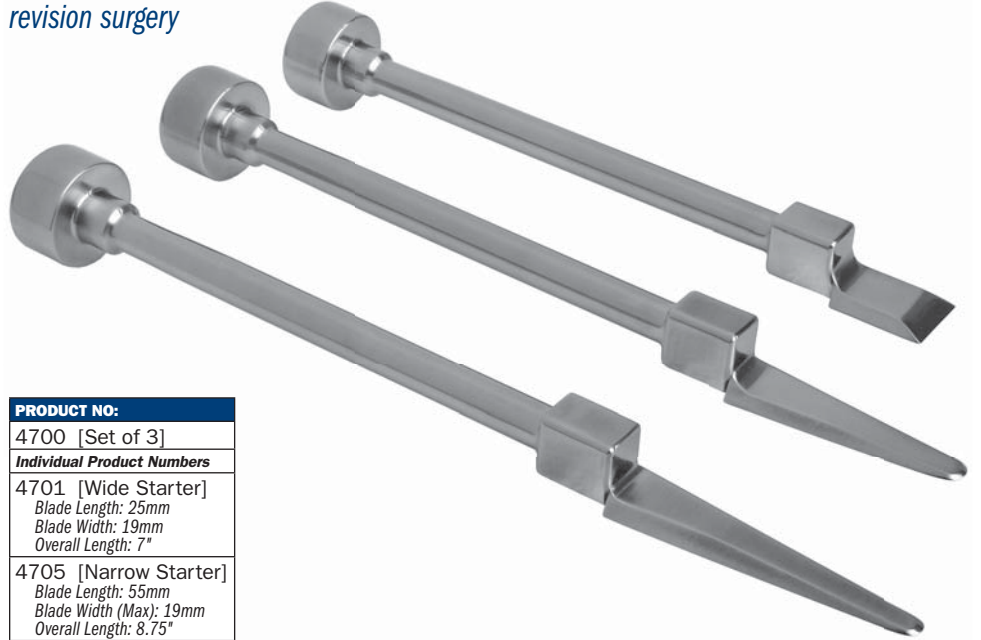


Unger Total Knee Revision Osteotomes

Designed by Anthony Unger, MD

*Helps with tibial tray
removal during knee
revision surgery*



PRODUCT NO:	
4700	[Set of 3]
Individual Product Numbers	
4701	[Wide Starter] Blade Length: 25mm Blade Width: 19mm Overall Length: 7"
4705	[Narrow Starter] Blade Length: 55mm Blade Width (Max): 19mm Overall Length: 8.75"
4710	[Finisher] Blade Length: 70mm Blade Width (Max): 19mm Overall Length: 9.25"

MADE
IN USA

FREE TRIAL ON MOST INSTRUMENTS



103 Estus Drive, Savannah, GA 31404
www.innomed.net info@innomed.net

912.236.0000 Phone
912.236.7766 Fax

© 2011 Innomed, Inc.

Innomed-Europe Tel. +41 41 740 67 73
Fax +41 41 740 67 74

INNOMED

1.800.548.2362