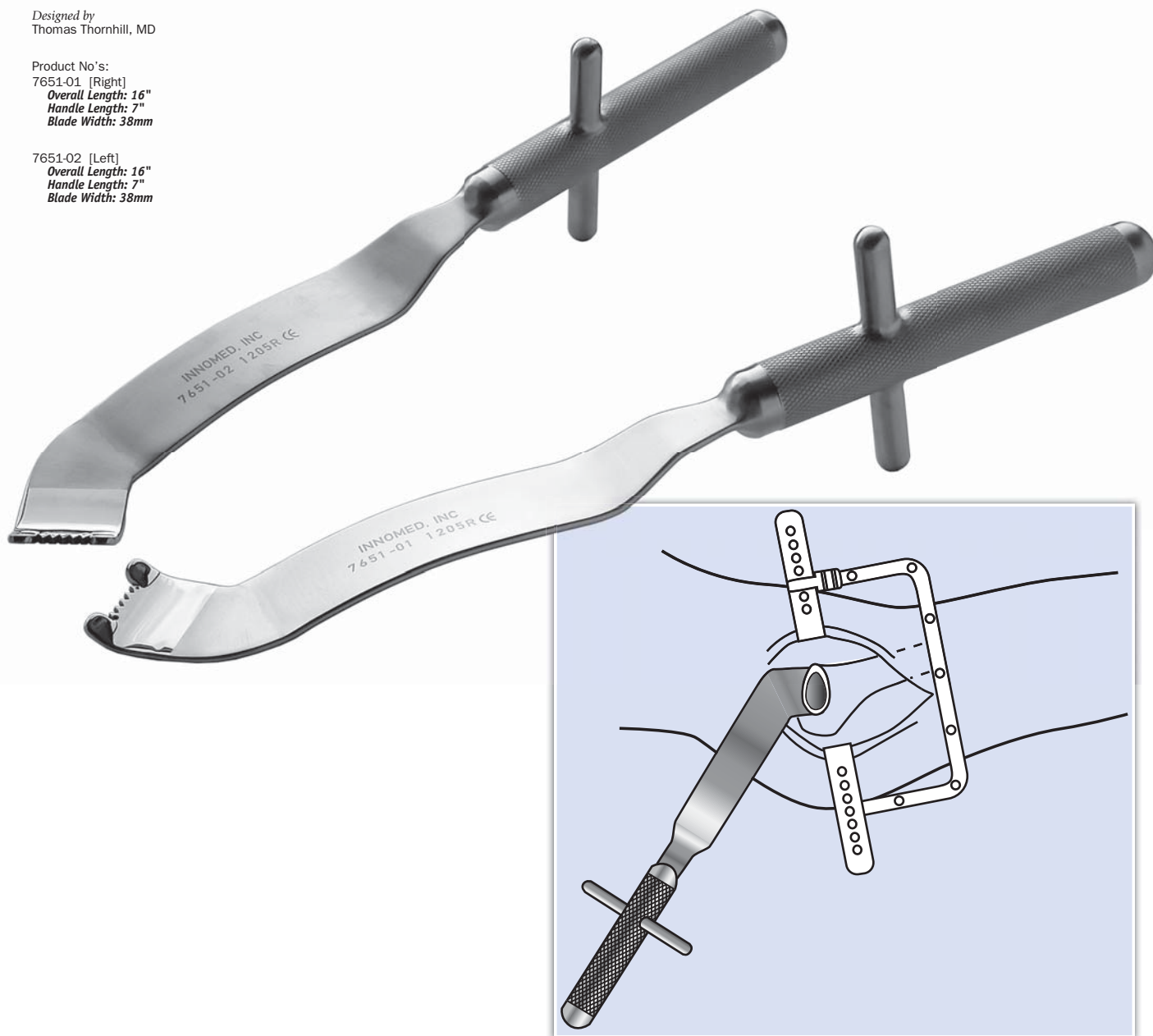


Thornhill Offset Proximal Femoral Elevators

Designed by
Thomas Thornhill, MD

Product No's:
7651-01 [Right]
Overall Length: 16"
Handle Length: 7"
Blade Width: 38mm

7651-02 [Left]
Overall Length: 16"
Handle Length: 7"
Blade Width: 38mm



FREE TRIAL
ON MOST INSTRUMENTS
CALL FOR MORE INFORMATION



©2008 Innomed, Inc., All Rights Reserved

Phone **800 548 2362**
912 236 0000
Fax 912 236 7766
Internet www.innomed.net
eMail info@innomed.net

Innomed
ORTHOPEDIC INSTRUMENTS
103 Estus Drive Savannah GA 31404

