

Stulberg Hip Positioner

Designed by S. David Stulberg, MD

Provides stable positioning of a patient during hip surgery



PRODUCT NO'S:

4150

Optional & Replacement Parts:

4150-C [2" Spacer]

4150-C4 [4" Spacer]

4150-EK [4" Screw] *For use with 2" Spacer*

4150-EK4 [6" Long Screw] *For use with two 2" Spacers or one 4" Spacer*

4150-EXT [2" Spacer with Screw]

4150-EXT4 [4" Spacer with Screw]

4150-9 [9" Post]

4150-12 [12" Post]

4150-PD3 [Set of 3 Small Pads]

4150-TA [Table Attachment]



Storage Case
Included

FREE TRIAL ON MOST INSTRUMENTS

© 2011 Innomed, Inc.

INNOMED

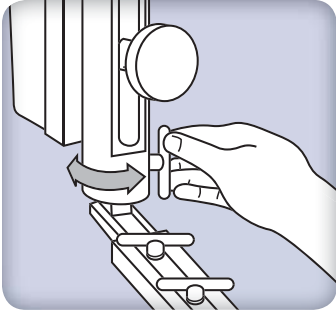


103 Estus Drive, Savannah, GA 31404
www.innomed.net info@innomed.net

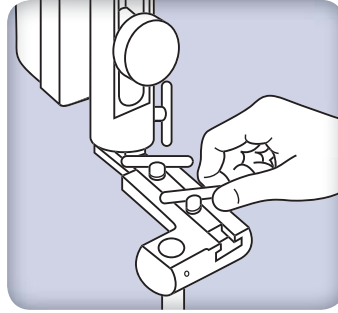
912.236.0000 Phone
912.236.7766 Fax

Innomed-Europe Tel. +41 41 740 67 73
Fax +41 41 740 67 74

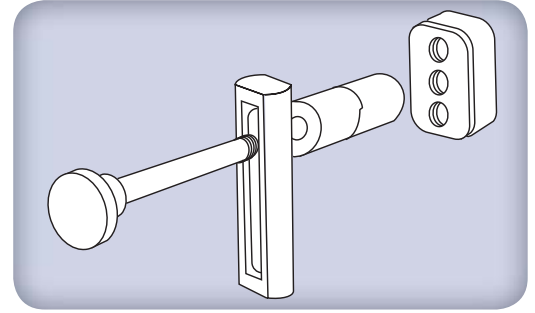
1.800.548.2362



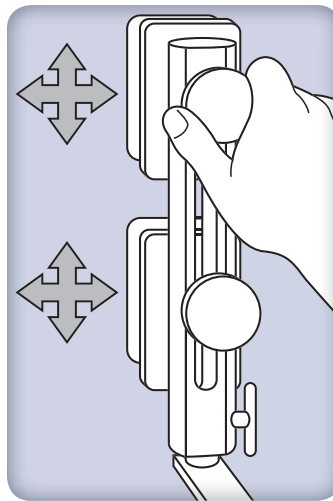
The upright assembly can be rotated and locked in place.



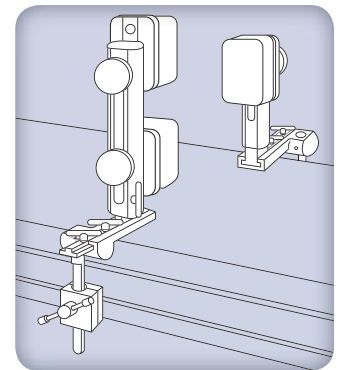
The upright assembly adjusts by a sliding track to accommodate various sized patients. It is locked in the sliding track by tightening one or two locking bolts.



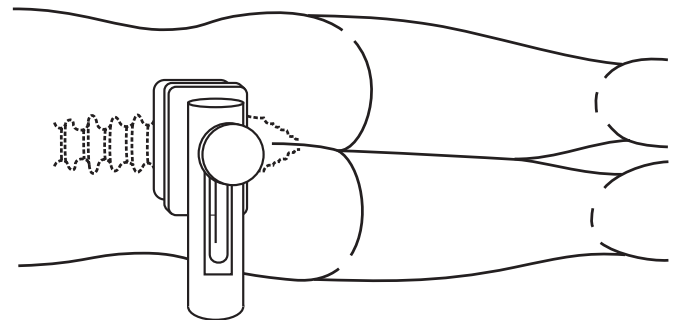
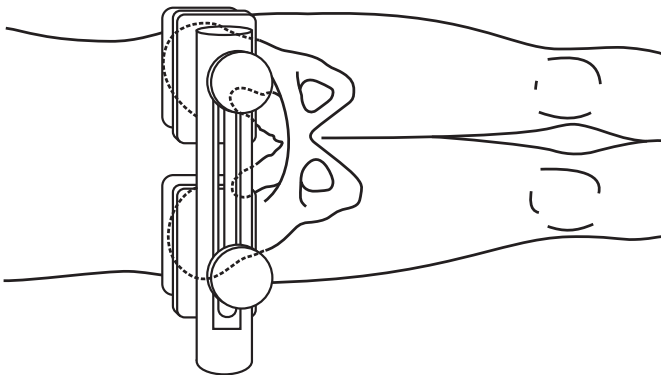
Spacer assembly.



The pads can be adjusted for height and width.



Stulberg Hip Positioner attaches to table via table clamps.



FREE TRIAL ON MOST INSTRUMENTS

© 2011 Innomed, Inc.

INNOMED



103 Estus Drive, Savannah, GA 31404
www.innomed.net info@innomed.net

912.236.0000 Phone
912.236.7766 Fax

Innomed-Europe Tel. +41 41 740 67 73
Fax +41 41 740 67 74

1.800.548.2362