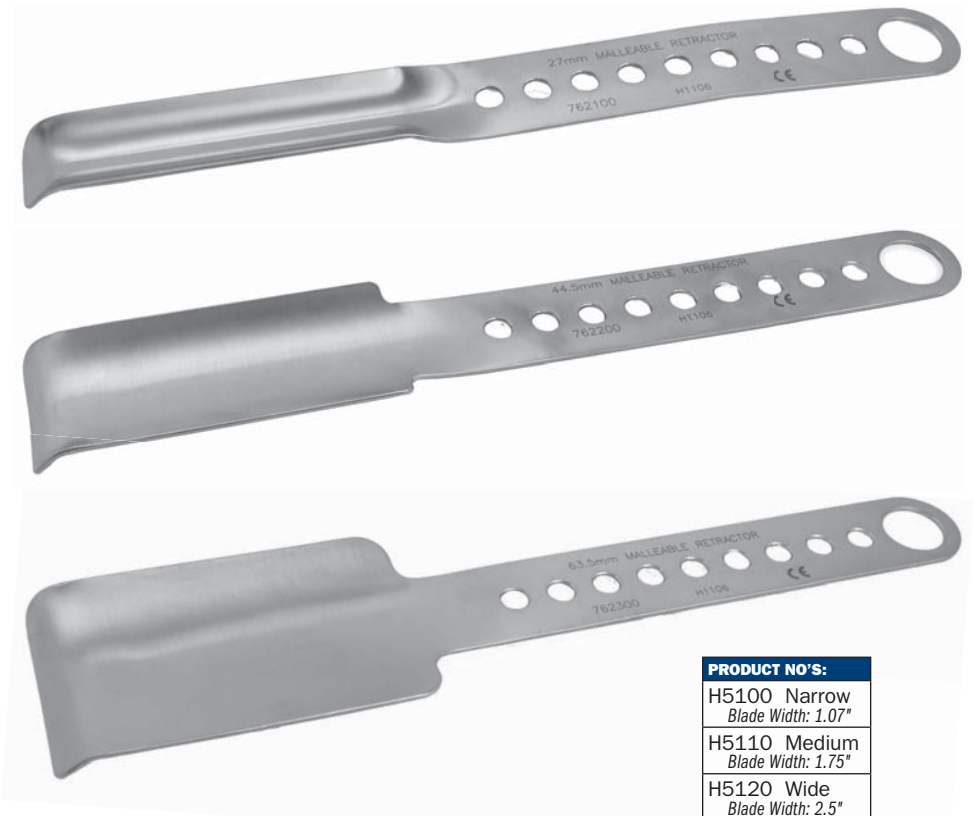


# Soft Malleable Retractors

Can be bent/reshaped for each case as necessary, and will mount on most standard pin-type frames



| PRODUCT NO'S: |                              |
|---------------|------------------------------|
| H5100         | Narrow<br>Blade Width: 1.07" |
| H5110         | Medium<br>Blade Width: 1.75" |
| H5120         | Wide<br>Blade Width: 2.5"    |



FREE TRIAL ON MOST INSTRUMENTS



103 Estus Drive, Savannah, GA 31404  
www.innomed.net info@innomed.net

912.236.0000 Phone  
912.236.7766 Fax



# INNOMED

1.800.548.2362