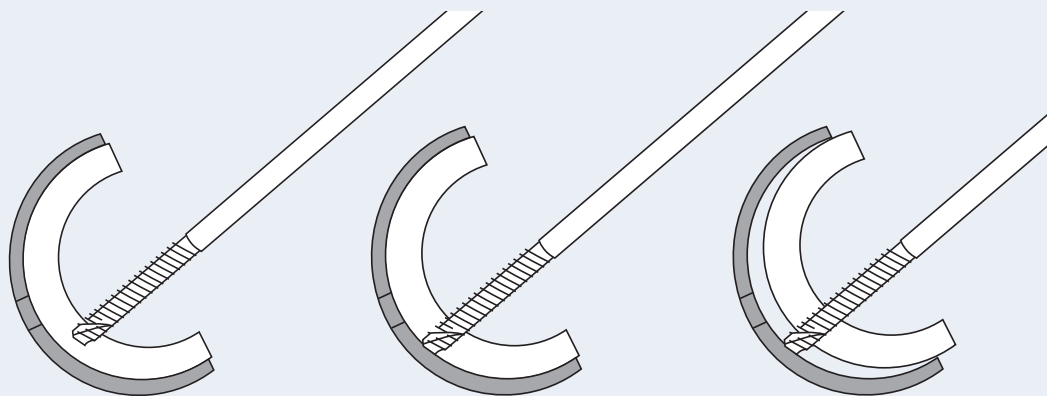


Poly Cup Liner Removal Drill

Designed by Keith R. Berend, MD

Threaded, aggressive, drill tipped tool designed to facilitate removal of an acetabular liner

PRODUCT NO:
4052
Overall Length: 6" (15,2cm)



When the flat-ended drill end reaches the metal of the acetabular cup, continue drilling and the liner will become engaged in the drill flutes and back off for removal.

www.innomed.net

ISO 13485:2016

FREE TRIAL ON MOST INSTRUMENTS



103 Estus Drive, Savannah, GA 31404
info@innomed.net

912.236.0000 Phone
912.236.7766 Fax

Innomed-Europe Tel. +41 41 740 67 74
info@innomed-europe.com

1.800.548.2362

© 2023 Innomed, Inc.