

# Nicholson Universal Humeral Prosthesis Extractor

*Designed to fit most humeral prostheses*

Includes a slaphammer, two non-sterile 2.5mm cables, and a sterilization case.

Designed by Gregory Nicholson, MD

**PRODUCT NO'S:**

3670 [Extractor Set with Case]

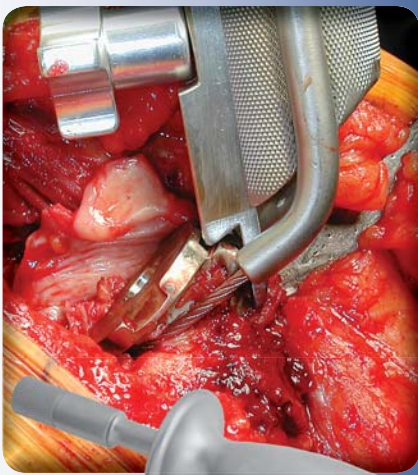
**Individual/Replacement Parts:**

3670-01 [Extractor Set without Case]

3670-CABLE [2.5mm Cable] *Package of 2*

3670-CASE [Case Only]

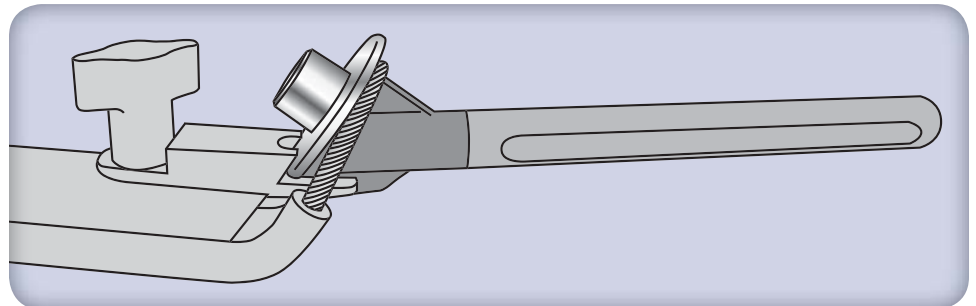
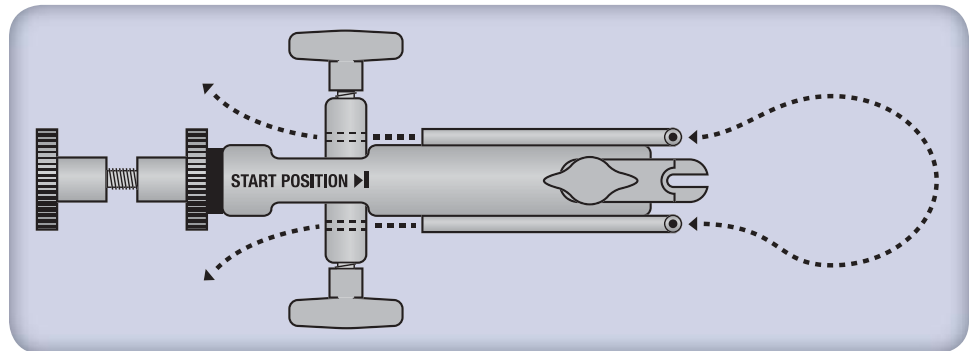
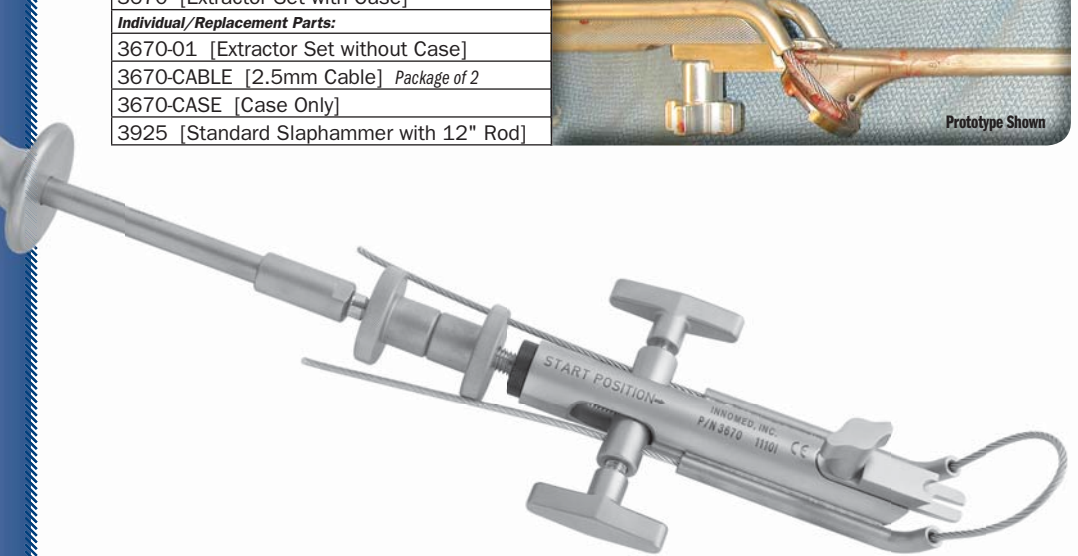
3925 [Standard Slaphammer with 12" Rod]



Prototype Shown



Prototype Shown



**FREE TRIAL ON MOST INSTRUMENTS**



103 Estus Drive, Savannah, GA 31404  
www.innomed.net info@innomed.net

912.236.0000 Phone  
912.236.7766 Fax

© 2012 Innomed, Inc.

**Innomed-Europe** Tel. +41 41 740 67 74  
Fax +41 41 740 67 71



**1.800.548.2362**