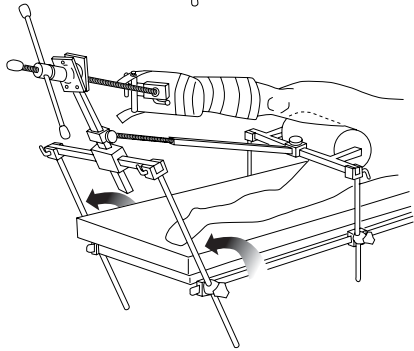
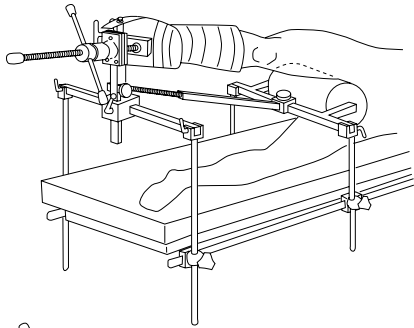


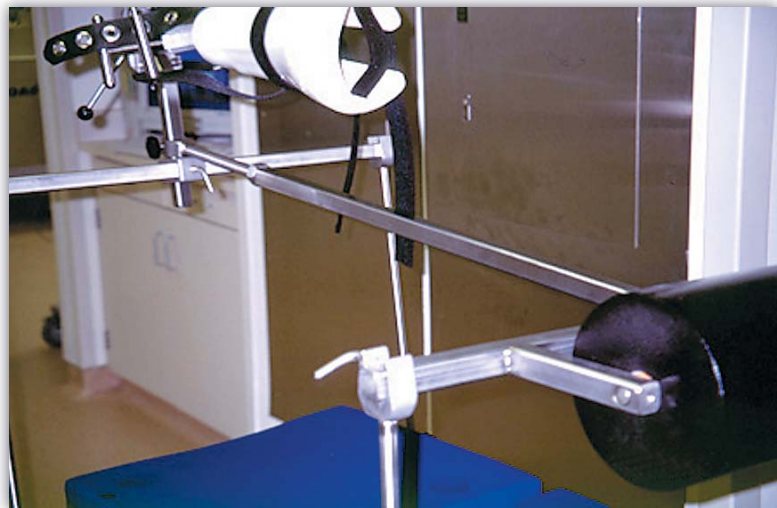


Innomed

McCarthy Hip Distractor



Distal uprights may be tilted with table clamps for positioning adjustments.



WARNING: Caution must be exercised in regard to positioning the patient and to the amount of distraction applied to the limb as well as to the length of time the limb remains under distraction. Serious injury to the limb can occur if excessive distraction is applied and/or the limb is allowed to remain in distraction for an excessive period of time. It is suggested that this product be used only in conjunction with an image intensifier or other similar device in order to lessen the risk of injury.

WARNING: This device should only be used by trained medical professionals and only when, in the opinion of such professionals, its use is necessary. Innomed, Inc. makes no representation as to the appropriateness of the use of this device in any particular procedure.