

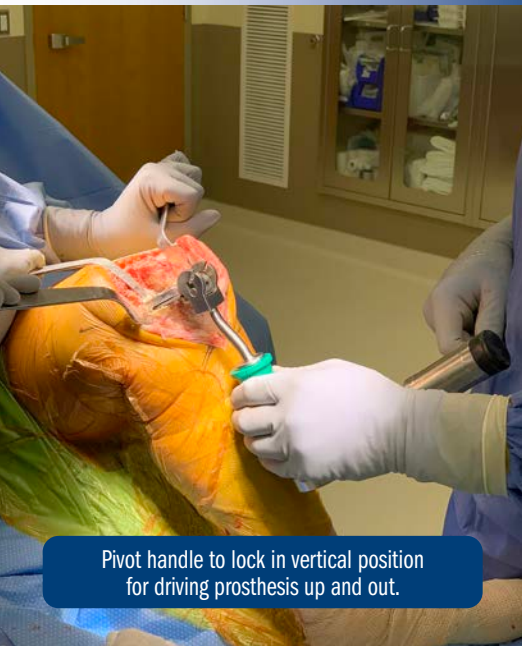
Foster Tibial Component Disimpactor

Designed by Scott A. Foster, MD

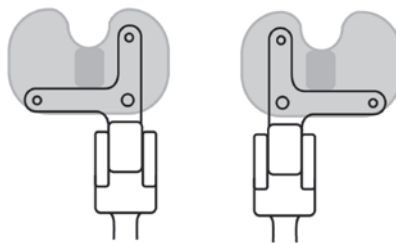
Designed for removal of a total knee tibial component



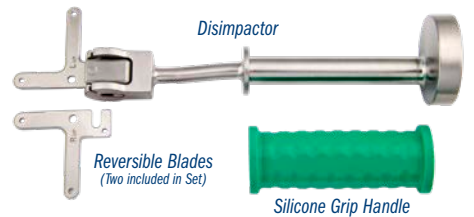
Mobilize bone-implant interface first with a bonesaw of choice, then lock in horizontal position for driving blade under base of prosthesis.



Pivot handle to lock in vertical position for driving prosthesis up and out.



PRODUCT NO.'S:	
1213-00	[Set]
Set Includes/ Available Separately:	
1213-01	[Foster Tibial Prosthesis Disimpactor] Overall Length: 14" (35,6 cm) Depth from Bend: 4.5" (11,4 cm) Fixed Handle Width: 5.5" (14 cm)
1213-B	[Foster Tibial Prosthesis Blade] Two included in Set, one with this product number Overall Length: 4.875" (12,4 cm) Handle Length: 4.5" (11,4 cm)
3924-RH	[Silicone Grip Handle] Overall Length: 4" (10,2 cm)



– See Reverse Side For Step by Step Usage Guide –

ISO 13485:2016

FREE TRIAL ON MOST INSTRUMENTS

INNOMED



103 Estus Drive, Savannah, GA 31404
www.innomed.net info@innomed.net

912.236.0000 Phone
912.236.7766 Fax

Innomed-Europe Tel. +41 41 740 67 74
Fax +41 41 740 67 71

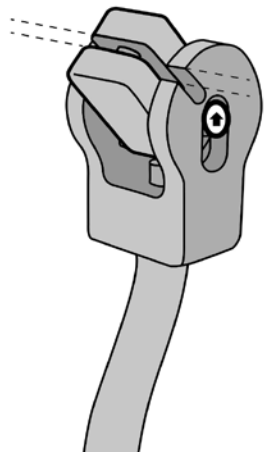
1.800.548.2362

© 2021 Innomed, Inc.

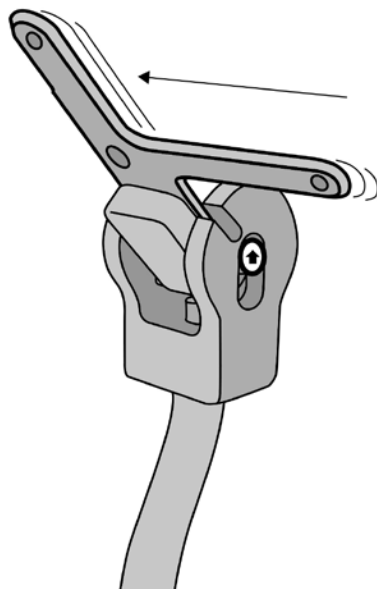
Foster Tibial Component Disimpactor

Designed by Scott A. Foster, MD

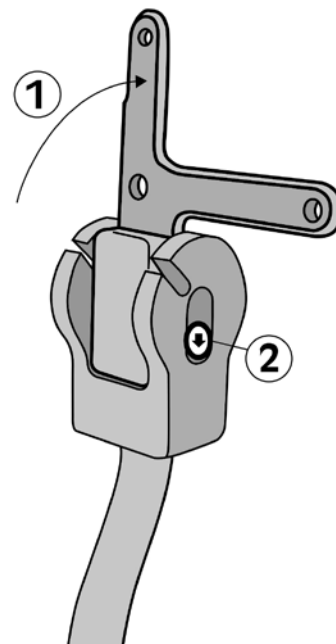
Designed for removal of a total knee tibial component



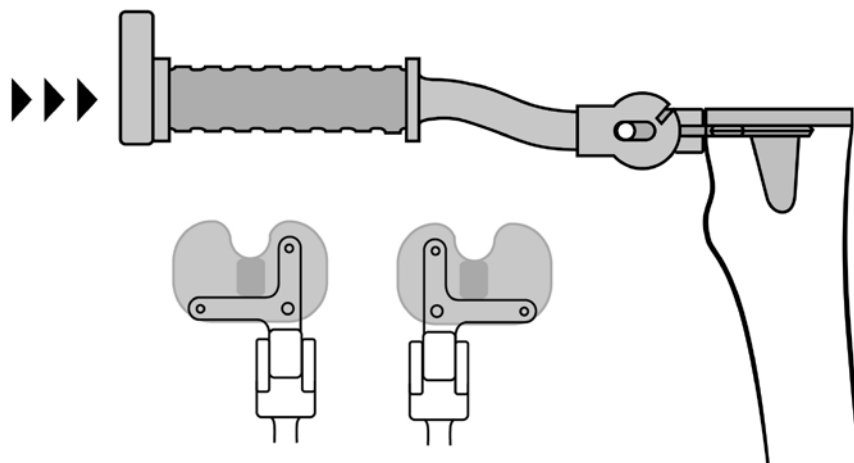
1 With button lifted up – align channel to accept blade.



2 Slide blade into channel. Blade may be flipped and inserted in either direction.

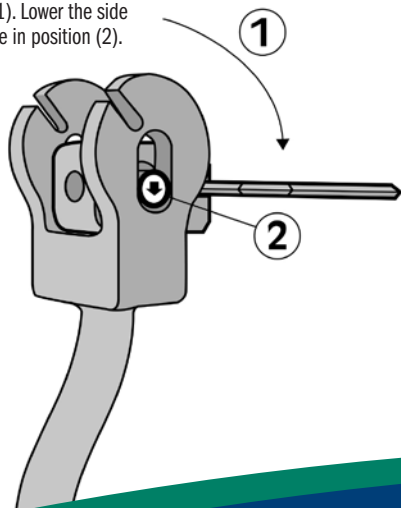


3 With button lifted up – flip blade into straight position. Then, lower the side button (1) to lock the blade in position (2).

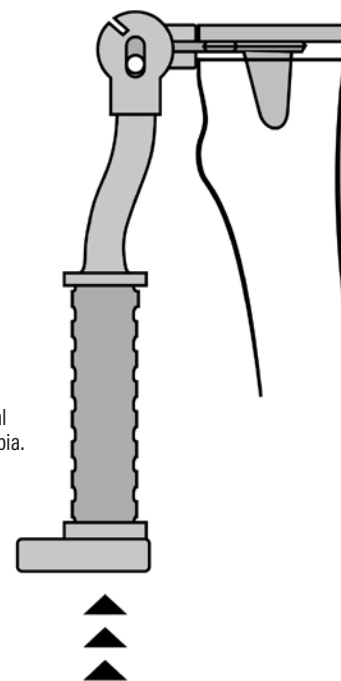


4 Blade can be driven under tibial platform on either side of the stem by flipping and reinserting.

5 With button lifted up – flip blade into 90° position (1). Lower the side button to lock blade in position (2).



6 In the 90° position the striking plate can be used to drive the loosened tibial plate from the proximal tibia.



ISO 13485:2016

FREE TRIAL ON MOST INSTRUMENTS

INNOMED



103 Estus Drive, Savannah, GA 31404
www.innomed.net info@innomed.net

912.236.0000 Phone
912.236.7766 Fax

Innomed-Europe Tel. +41 41 740 67 74
Fax +41 41 740 67 71

1.800.548.2362