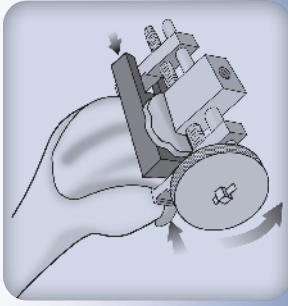


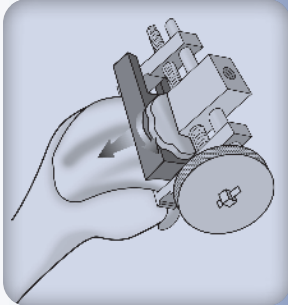
Attaching Jaws To Component

The jaws are tightened against the femoral component with the socket wrench or tightening wheel.



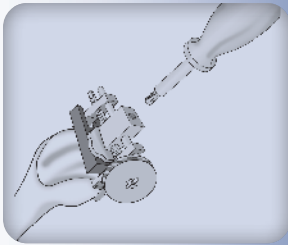
Stabilizing The Component

The delrin stabilizing insert is tightened against the femoral component by rotating the thumbwheel.



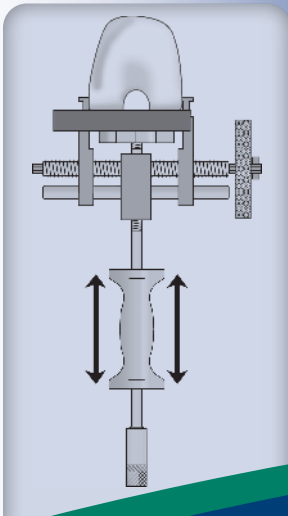
Attaching Slap Hammer Assembly

The slap hammer assembly is threaded into the extractor body.



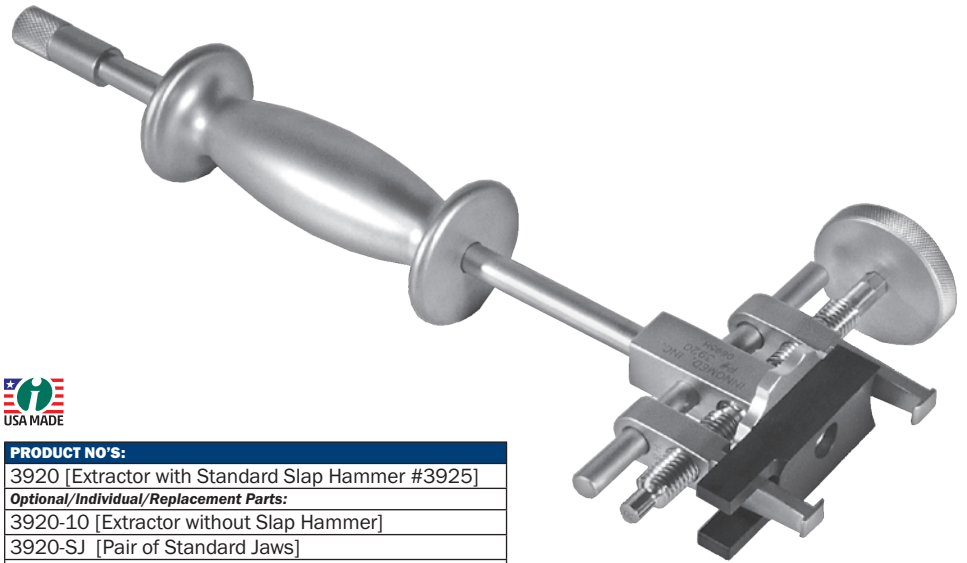
Using Slap Hammer Assembly To Remove Component

The slap hammer is also designed with a hammer flare for optional use with a mallet.



Femoral Component Extractor

Universal extraction instrument for total knee revision surgery



PRODUCT NO'S:

3920 [Extractor with Standard Slap Hammer #3925]

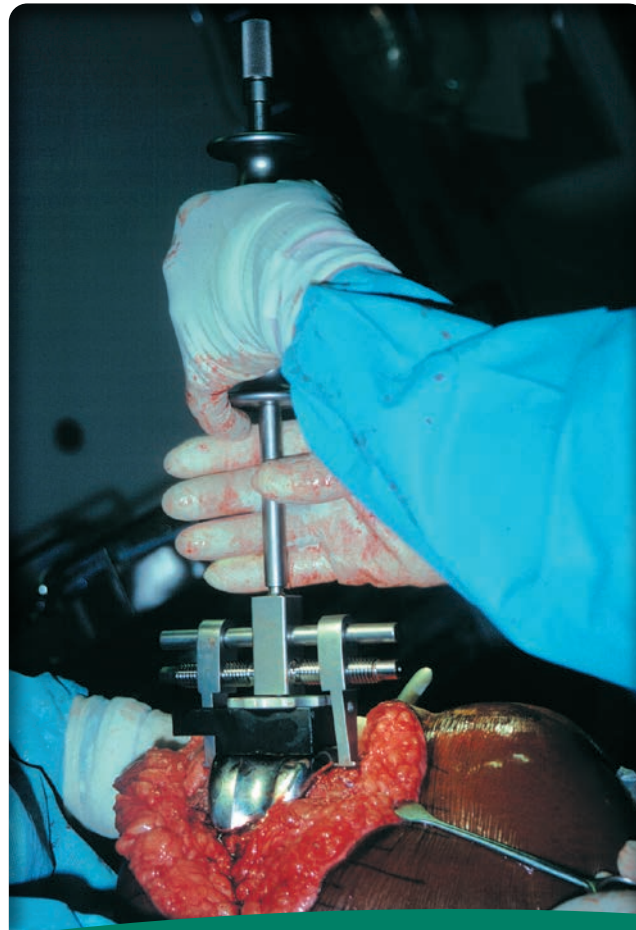
Optional/Individual/Replacement Parts:

3920-10 [Extractor without Slap Hammer]

3920-SJ [Pair of Standard Jaws]

3925 [Standard Slap Hammer] Thread Gauge: 3/8"-16

3935 [Extra Large Slap Hammer] Thread Gauge: 3/8"-16



Clamps onto femoral knee component for extraction

A standard set of jaws is used for slotted and unslotted femoral components. Features a round tightening wheel which allows the surgeon to easily tighten the jaws without using a separate socket wrench. The tightening wheel can be easily removed for replacing the jaws. The copolymer prosthesis stabilizing block allows access to the block tightening wheel. Includes standard slap hammer, #3925.

ISO 13485:2016

FREE TRIAL ON MOST INSTRUMENTS



103 Estus Drive, Savannah, GA 31404
www.innomed.net info@innomed.net

912.236.0000 Phone
912.236.7766 Fax

Innomed-Europe

Tel. +41 41 740 67 74
Fax +41 41 740 67 71

1.800.548.2362

INNOMED