

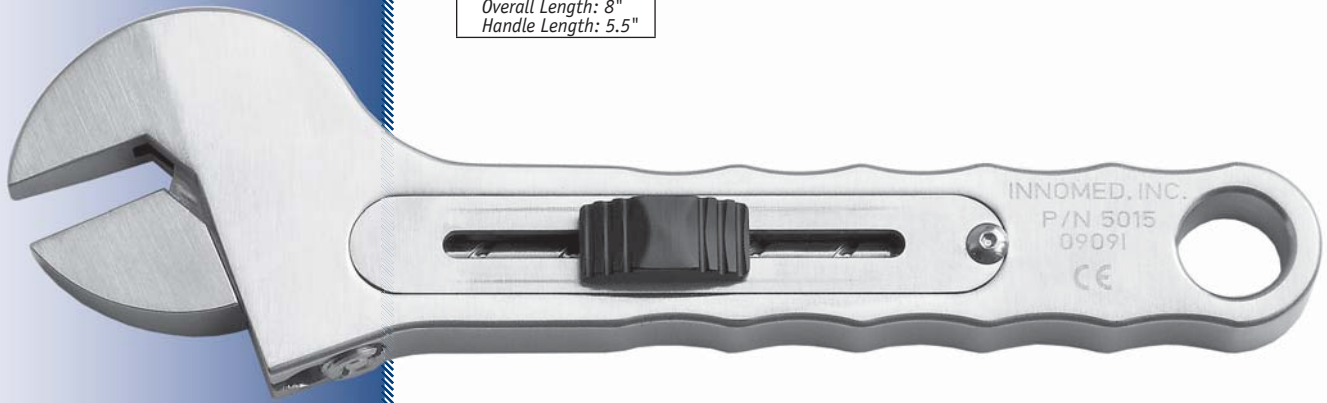
Adjustable Wrench

Designed for quick one-handed adjustments

Opens to 7/8"

PRODUCT NO:

5015
Overall Length: 8"
Handle Length: 5.5"



FREE TRIAL ON MOST INSTRUMENTS



103 Estus Drive, Savannah, GA 31404
www.innomed.net info@innomed.net

912.236.0000 Phone
912.236.7766 Fax



INNOMED

1.800.548.2362